



# G42

EDIZIONE 2006

USE AND MAINTENANCE  
USO E MANUTENZIONE  
EMPLOI ET MAINTENANCE  
GEBRAUCHS- UND WARTUNGSANLEITUNG  
USO Y MANTENIMIENTO

## INDEX / INDICE / CONTENU / INHALT / INDICE

GB	
Safety rules .....	p. 1
G42 walking tractor .....	p. 6
Identification and servicing.....	p. 7
Technical data .....	p. 7
Instructions for use.....	p. 8
Maintenance and lubrication .....	p. 9
Implements.....	p. 9
Noise level – vibration levels.....	p. 9
Description of the controls.....	p. 27
I	
Norme antinfortunistiche .....	p. 1
Motocoltivatore G42 .....	p. 10
Identificazione e assistenza .....	p. 11
Caratteristiche tecniche.....	p. 11
Istruzioni d'uso .....	p. 12
Manutenzione e lubrificazione.....	p. 13
Attrezzi .....	p. 13
Rumorosità – vibrazioni.....	p. 13
Descrizione dei comandi .....	p. 27
F	
Normes pour la prévention des accidents.....	p. 1
Motoculteur G42.....	p. 14
Identification et assistance .....	p. 15
Caractéristiques techniques.....	p. 15
Mode d'emploi .....	p. 16
Entretien et lubrification.....	p. 17
Accessoires.....	p. 17
Bruit – vibrations .....	p. 17
Description des commandes.....	p. 27
D	
Unfallverhütungsmaßnahmen .....	S. 1
Einachsschlepper G42 .....	S. 18
Identifikation und Kundendienst.....	S. 19
Technische Daten.....	S. 19
Bedienungsanleitung.....	S. 20
Wartung und Schmierung.....	S. 21
Zusatzgeräte .....	S. 21
Lärmpegel – Vibrationen .....	S. 21
Beschreibung der Bedienungseinrichtungen .....	S. 27
E	
Normas de seguridad .....	p. 1
Motocultor G42.....	p. 22
Identificación y asistencia .....	p. 23
Características técnicas .....	p. 23
Instrucciones de uso .....	p. 24
Manutención y lubricación.....	p. 25
Accesorios.....	p. 25
Niveles del ruido - vibración .....	p. 25
Descripción mandos.....	p. 27



## **SAFETY RULES**

This symbol alongside messages and instructions in this manual and on the machine indicates a potential danger; care must be taken to ensure your own safety and that of anyone within the machine's range of operation.

### ***NORME ANTINFORTUNISTICHE***

*Sulla macchina ed all'interno di questo manuale sono presenti scritte ed indicazioni accompagnate da questo segnale, stanno ad indicare la presenza di un potenziale pericolo per cui è opportuno utilizzare una particolare prudenza per la propria sicurezza e di quanti si possono trovare nel raggio di azione della macchina.*

### **RÈGLES DE SÉCURITÉ GÉNÉRALE**

Sur la machine et sur les pages de ce Manuel se trouvent des mises en garde et des indications accompagnées de ce signal; elles indiquent la présence d'un danger potentiel qui explique la nécessité d'être particulièrement prudent pour sauvegarder sa propre sécurité et la sécurité de tous ceux qui peuvent se trouver dans le rayon d'action de la machine.

### **SICHERHEITSVORSCHRIFTEN**

*Auf der Maschine und in diesem Handbuch finden Sie Beschriftungen und Hinweise mit dem hier abgebildeten Symbol. Sie weisen auf eine potentielle Gefahr hin, und Sie sollten besonders gefahrenbewußt vorgehen, um unnötige Risiken für sich selber und andere Personen, die sich im Aktionsbereich der Maschine befinden, auszuschließen.*

### **NORMAS DE SEGURIDAD**

En la máquina y dentro de este manual hay leyendas e indicaciones acompañadas por esta señal que indican la presencia de un peligro potencial o la necesidad de adoptar una prudencia mayor para la seguridad propia y de los que se encuentran en el radio de acción de la máquina.

## **IMPORTANT!!**

This machine has been manufactured to EEC standards and carries the **CE** mark.

### **GENERAL SAFETY RULES**

## **ATTENZIONE!!**

Questa macchina è costruita secondo le normative CEE ed è certificata col marchio **CE**

### **NORME DI CARATTERE GENERALE SULLA SICUREZZA**

## **ATTENTION!!**

Cette machine est construite selon les directives européennes CEE; elle est certifiée par la marque **CE**

### **RÈGLES DE CARACTERE GÉNÉRAL SUR LA SECURITÉ**

## **ACHTUNG!!**

Diese Maschine entspricht den europäischen Richtlinien, und ist mit dem **CE**-Zeichen ausgezeichnet.

### **ALLGEMEINE SICHERHEITSHINWEISE**

## **¡¡ATENCIÓN!!**

Esta máquina se ha fabricado según las normas CEE y está certificada con la marca **CE**

### **NORMAS GENERALES PARA LA SEGURIDAD**

## **ATENÇÃO!!**

Esta máquina foi construída em conformidade com as normas CEE e está certificada com a marca **CE**

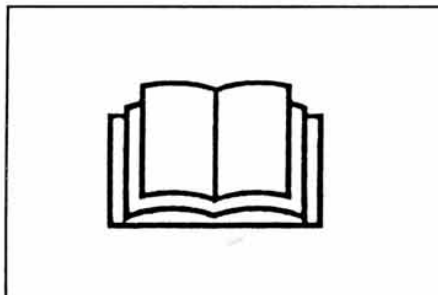
### **NORMAS DE CARÁCTER GERAL ACERCA DA SEGURANÇA**

## **ΠΡΟΣΟΧΗ!**

ΑΥΤΟ ΤΟ ΜΗΧΑΝΗΜΑ ΕΙΝΑΙ ΚΑΤΑΣΚΕΥΑΣΜΕΝΟ ΣΥΜΦΩΝΑ ΜΕ ΤΑ

ΠΡΟΤΥΠΑ ΤΗΣ ΕΟΚ ΚΑΙ ΕΙΝΑΙ ΠΙΣΤΟΠΟΙΗΜΕΝΟ ΜΕ ΤΟ ΣΗΜΑ **CE**

ΠΡΟΤΥΠΑ ΓΕΝΙΚΟΥ ΧΑΡΑΚΤΗΡΑ ΠΑΝΩ ΣΤΗΝ ΑΣΦΑΛΕΙΑ



*Read the manual before starting up and operating the machine.*

*Leggere questo manuale prima di avviare e mettere in movimento la macchina.*

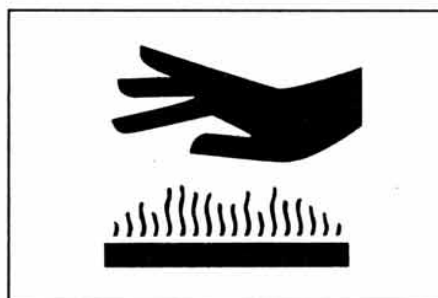
*Lire ce livret avec attention avant de démarrer le moteur et de faire partir la machine.*

*Vor der Inbetriebnahme der Maschine dieses Handbuch sorgfältig durchlesen.*

*Leer este manual, antes de encender y poner en movimiento la maquina.*

*Leia atentamente este manual antes de accionar e pôr a máquina em movimento.*

*Διαβάστε το παρόν εγχειρίδιο πριν βάλετε εμπρός και λειτουργήσετε το μηχάνημα.*



*Take special care not to touch hot parts of the engine.*

*Prestate particolare attenzione a non entrare in contatto con parti surriscaldate del motore.*

*Veiller tout particulièrement à ne pas toucher des éléments surchauffés du moteur.*

*Achtung - keine heißen Motorteile berühren!*

*Obrar con cuidado para no tocar partes recalentadas del motor.*

*Tome muito cuidado para não entrar em contacto com as partes aquecidas do motor.*

*Προσέξτε ώστε να μην έρθετε σε επαφή με τα καυτά τμήματα του κινητήρα.*





*Handle fuel with care, it is highly flammable: Do not refuel machine while smoking, when machine is near an open flame or sparks, or when engine is running. Stop engine.*

Maneggiare il carburante con cura, è altamente infiammabile; non fate rifornimento mentre fumate, o vicino a fiamme o scintille, o quando il motore è acceso.

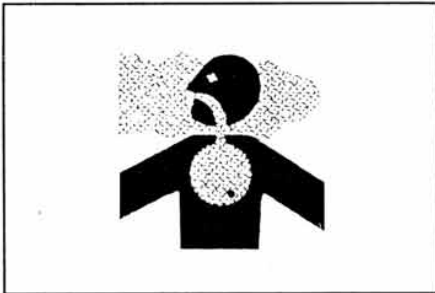
Manier avec soin l'essence c'est très inflammable ne pas remplir le réservoir si vous êtes en train de fumer ou pendant que la machine est près du feu ou d'étincelles ou encore pendant que la machine travaille. Arrêter le moteur.

*Treibstoff vorsichtig handeln, da er sehr entzündbar ist: nicht rauchen beim tanken, oder wenn die Maschinen neben Flammen und Funken ist, oder wenn der Motor läuft. Immer den Motor abschalten.*

Manejar el combustible con cuidado porque es sumamente inflamable; no repostar mientras se fuma o cerca de llamas o chispas, o cuando el motor está encendido.

*Manuseie o carburante com cuidado, pois este é altamente inflamável; não fume durante o abastecimento da máquina ou enquanto o motor estiver ligado, não o aproximando de chamas ou de faíscas.*

Να χειρίζεστε τα καύσιμα με προσοχή, είναι άκρως εύφλεκτα: μην κάνετε ανεφοδιασμό ενώ καπνίζετε, ή κοντά σε φλόγες ή σπινθήρες, ή με τον κινητήρα αναμμένο.



*Engine exhaust fumes can cause sickness or death. If it is necessary to run an engine in an enclosed area, use an exhaust pipe extension to remove the fumes. Always try to work in a well ventilated area.*

I gas di scarico possono causare malanni o morte. Se è necessario mettere in moto un motore in uno spazio chiuso, usare una prolunga tubo di scarico per far uscire il fumo. Lavorare in una zona ben ventilata.

L'exhalation des gaz d'échappement peut causer une intoxication ou provoquer la mort. S'il est vraiment nécessaire d'activer le moteur à l'intérieur, appliquer au tuyau d'échappement un autre tuyau extensible pour permettre la sortie des gaz. Travailler de préférence en plein air.

*Auspuffgase können Übelkeit, Ohnmacht oder sogar den Tod zur Folge haben. Muß der Motor in einem geschlossenen Raum laufen gelassen werden, sind die Abgase über eine Auspuffverlängerung abzuleiten. Sofern möglich, immer im Freien oder an einem gut belüfteten Ort arbeiten.*

Los gases de escape pueden provocar enfermedades o muerte. De ser necesario poner en marcha un motor en un espacio cerrado, usar una prolongación del tubo de escape para que el humo salga al exterior. Trabajar en una zona bien ventilada.

*Os gases de escape podem causar danos ou morte. Caso seja necessário fazer com que o motor funcione num espaço fechado, utilize uma extensão para o tubo de escape para que os fumos sejam expulsos para o exterior. Trabalhe numa área bem ventilada.*

Τα καυσαερία μπορούν να προκαλέσουν λιποθυμίες ή και θάνατο. Αν πρέπει οπωσδήποτε να βάλετε σε λειτουργία έναν κινητήρα μέσα σ' έναν κλειστό χώρο, χρησιμοποιείστε μία προέκταση για την εξάτμιση, για την αποβολή των καυσαερίων. Εργάζεστε σε



*Caution! Never touch moving pulleys or belts. They can be very dangerous. Never carry out maintenance with engine running.*

Attenzione! Non toccare mai pulegge o cinghie in movimento, creano gravi danni alla persona. Non fare manutenzione col motore in moto.

Attention! Ne jamais-toucher les poulies ou les courroies en mouvement; elles peuvent provoquer des accidents aux personnes. Ne pas effectuer l'entretien quand le moteur est en marche.

*Vorsicht! Keine laufenden Riemenscheiben oder Treibriemen berühren Verletzungsgefahr! Niemals Wartungsarbeiten bei laufendem Motor durchführen.*

¡Atención! No tocar jamás poleas o correas en movimiento, porque pueden crear graves daños a la persona. No efectuar el mantenimiento con el motor en marcha.

*Atenção! Nunca toque nas polias ou correias em movimento devido ao alto risco de ferimentos. Nunca faça a manutenção da máquina com o motor ligado.*

Προσοχή! Ποτέ μην ακουμπάτε τροχαλίες ή μιάντες ενώ περιστρέφονται, μπορούν να προξενήσουν σοβαρά τραύματα. Η συντήρηση δεν πρέπει να γίνεται με τον κινητήρα αναμμένο.



*A burst which separates the tyre from the rim parts can cause serious injury or death.*

*La separazione fra pneumatico e cerchione, causata dall'esplosione del pneumatico, può provocare serie ferite o addirittura la morte.*

*L'explosion d'une roue peut causer des dommages blessures ou la mort.*

*Die Trennung durch Explosion der Räder oder der Falgen kann schweren Oerletzungen oder Tod verursachen.*

*La separación entre el neumático y la llanta producida por la explosión del neumático puede provocar graves heridas e incluso la muerte.*

*A separação entre o pneumático e o aro, provocada pela explosão do pneumático, pode causar graves ferimentos ou até mesmo a morte.*

*Η απόσπαση του ελαστικού από τη ζάντα, λόγω σκασίματος του ελαστικού, μπορεί να προκαλέσει σοβαρά τραύματα ή ακόμα και το θάνατο.*



*Warning! Turning gears, keep your hands and feet away.*

*Do not clean the attachment when the engine is running.*

*Attenzione! Organo in rotazione, tenere lontano piedi e mani.*

*Non pulire l'attrezzo col motore in moto.*

*Attention! Organe en rotation, ne pas approcher mains et pieds.*

*Ne pas nettoyer l'outil quand le moteur est en marche.*

*Achtung! Rotierende Klinge, Hände und Füße fernhalten.*

*Niemals bei laufendem Motor reinigen.*

*¡Atención! Órgano en rotación, mantener lejos los pies y las manos.*

*No limpiar la herramienta con el motor en marcha.*

*Atenção! Órgão em rotação. Mantenha as mãos e os pés afastados.*

*Não limpe o equipamento com o motor em movimento.*

**ΠΡΟΣΟΧΗ!** Περιστρεφόμενο όργανο, κρατάτε μακριά πόδια και χέρια.

Μην καθαρίζετε το εργαλείο με τον κινητήρα αναμμένο.



**DANGER! READ THE INSTRUCTION MANUAL. KEEP SAFETY DISTANCES.**

**PERICOLO! LEGGERE IL MANUALE D'ISTRUZIONE. TENERE LONTANO LE PERSONE.**

**DANGER! LIRE LE MANUEL D'INSTRUCTIONS. RESPECTER LES DISTANCES DE SÉCURITÉ.**

**GEFAHRI! DIE GEBRAUCHANLEITUNG DURCHLESEN. NICHT IN DER NÄHE VON ANDEREN PERSONEN MÄHEN.**

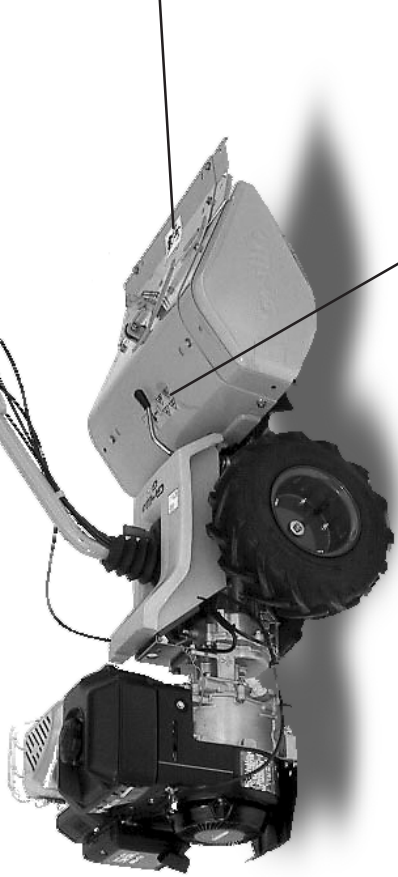
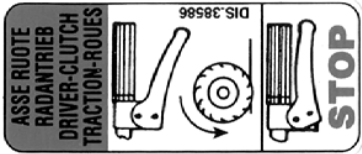
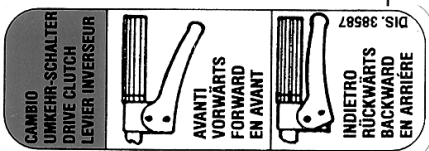
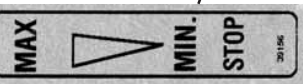
**PELIGRO! LEER LAS INSTRUCCIONES. MANTENER ALEJADAS LAS PERSONAS.**

**PERIGO! LER O MANUAL DE INSTRUÇÕES. MANTER AS PESSOAS AFASTADAS.**

**ΚΙΝΔΥΝΟΣ! ΔΙΑΒΑΣΤΕ ΤΟ ΕΓΧΕΙΡΙΔΙΟ ΟΔΗΓΙΩΝ ΜΗΝ ΕΠΙΤΡΕΠΕΤΕ ΣΕ ΤΡΙΤΟΥΣ ΝΑ ΠΛΗΣΙΑΣΟΥΝ.**



GAS LEVER + MAX  
- MIN  
ACCELERATORE + MASSIMO  
- MINIMO  
ACCÉLÉRATEUR + MAX  
- MIN  
GASREGULIERHEBEL + MAX  
- MIN  
ACCELERADOR + MAXIMO  
- MINIMO



**Warning!** Turning gears, keep your hands and feet away. Do not clean the attachment when the engine is running.  
**Attenzione!** Organo in rotazione, tenere lontano piedi e mani. Non pulire l'attrezzo col motore in moto.  
**Atención!** Órgano en rotación, no pasis acercar máis e pies. No pas nettoyer l'outil quand le moteur est en marche.  
**Achtung!** Rotierende Klinge. Hände und Füße fernhalten. Niemals bei laufendem Motor reinigen.  
**¡Atención!** Órgano en rotación, mantener lejos los pies y las manos. No limpiar la herramienta con el motor en marcha.



**DANGER!** READ THE INSTRUCTION MANUAL  
KEEP SAFETY DISTANCES.  
PERICOLO! LEGGERE IL MANUALE D'ISTRUZIONE  
TENERE LONTANO LE PERSONE.  
**DANGER!** LIRE LE MANUEL D'INSTRUCTIONS  
RESPECTER LES DISTANCES DE SECURITE.  
GEFAHR! DIE GEBRAUCHSANLEITUNG DURCHLESEN  
NICHT IN DER NAHE VON ANDEREN PERSONEN MAHEN.  
PELIGRO! LEER LAS INSTRUCCIONES  
MANTENER ALEJADAS LAS PERSONAS.

# G42



# G42 WALKING TRACTOR

Dear Customer,

Thank you for choosing our walking tractor; we are sure that your new machine's performance will meet your requirements in full.

To ensure optimum service and maintenance of its qualities over time, read this manual carefully and follow its instructions. This will give you the best results and protect your investment.

Please keep this manual, which must always accompany the machine.

***CAUTION! Before starting the engine, read this carefully.***

***The following warnings are very important in ensuring safety!***

## SAFETY REGULATIONS

Caution is your main weapon in preventing accidents!

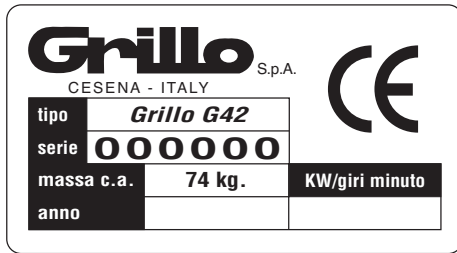
We urge you to read the following regulations for use of the machine carefully before starting work.

Improper use of the machine and its equipment may cause damage; to reduce this risk, read the following precautions carefully.

- 1) Read the whole of this manual before starting the machine or putting it in motion.
- 2) Pay special attention to the safety warnings and labels.
- 3) Rotation of the tiller is extremely dangerous; **never insert hands or feet under the tiller!**
- 4) Before other people are allowed to use the machine they must first be informed about the safety regulations and how to use the vehicle.
- 5) Before starting the engine, make sure that there is no-one nearby, particularly children.
- 6) Never use the machine when tired and do not drink alcohol.
- 7) Check the ground before tilling for stones, sticks or foreign bodies which might damage the machine or be flung dangerously to some distance during operation.
- 8) **Before starting work, put on suitable working clothes, gloves, heavy footwear and goggles.**
- 9) Never use the walking tractor on steep slopes; it might tip over.
- 10) Never allow the machine to be used by anyone under 16 years of age.
- 11) Never reverse with the engine at high throttle.
- 12) It is dangerous to operate the levers sharply with the engine at maximum rpm.
- 13) Never keep the engine running indoors; you may inhale poisonous gases.
- 14) Always switch off the engine before filling up with fuel, keep away from sparks or flames and do not smoke!
- 15) Avoid fuel spills and after filling the tank clean all spills before starting the engine.
- 16) **Never tamper with the safety devices or disable them.**
- 17) **Never make any adjustments or do any cleaning with the engine running.**
- 18) **Never have anyone check the machine while you are driving with the engine running.**
- 19) The user is always responsible for injury or damage to third parties.
- 20) Any improper uses causes the machine to become null and void and the constructor will decline all liability.
- 21) Misshapen or damaged hoes must always be replaced and never repaired.
- 22) Always use original Grillo spare parts.
- 23) Before starting any work with the machine, check that all the accident prevention systems with which it is equipped are in perfect working order. They must never be disabled or tampered with.
- 24) Before starting work, check that the nuts and bolts securing the tiller and hoes are perfectly tight.
- 25) All protective fittings (hoods, mudguards, etc.) must be kept in place during operation.
- 26) Never clean the tiller with the engine running.
- 27) Never use the machine barefoot.



## IDENTIFICATION AND SERVICING



### IDENTIFICATION

The machine is provided with an ID plate showing the serial number, located on the chassis. Always state the serial number when ordering spare parts.

### SERVICING

This handbook provides the instructions for using the walking tractor. For a correct basic maintenance contact your Local Dealer.

### SPARE PARTS

Original spares should always be used as these are the only ones which offer safety and interchangeability. Each order should include the machine serial number and the code of the spare part needed. For engine spares, refer to the information in the specific manual.

### WARRANTY

The warranty is subject to the terms and conditions stated on the card. As regards the engine, the individual manufacturers' conditions apply.

### RECOMMENDED SPARE PARTS TO BE KEPT ON HAND

- 1 accelerator cable
- 1 wheel engaging cable
- 1 throttle lever
- 1 right tine
- 1 left tine.

### HOW TO ORDER SPARE PARTS

Always state the machine serial number and the code of the spare part needed. Contact your nearest service centre. For more information address your enquiries to:

GRILLO S.p.A.  
Via Cervese 1701 – 47023 CESENA (FC) ITALY  
Tel. 0039.0547.633.111 / Fax 0039.0547.632.011  
Web site: [www.grillospa.it](http://www.grillospa.it) / e-mail: [grillo@grillospa.it](mailto:grillo@grillospa.it)

## TECHNICAL DATA

**Engine:** 4 stroke petrol engine HONDA GC 160, ROBIN EX 17.

**Gearbox:** 2 speed gears in oil bath (one forward and one reverse).

**Power-take-off:** at 644 rpm as walking tractor in anti-clockwise direction of rotation.

**Safety device:** engaging the reverse gear the rotary tiller disconnects automatically.

**Handlebar:** adjustable in height.

**Rotary tiller:** standard 500 mm.

**Weight:** machine in working order 163 lbs. (74 kg).

**Speeds with 4.00-8 tires:** forward speed 1.6 km/h - reverse speed 2.5 km/h.

## INSTRUCTIONS FOR USE

### PUTTING THE MACHINE INTO SERVICE

- 1) Make sure the machine is complete and that has not been damaged in transit.
- 2) Lift up the mudguards over the wheels (fig. 1).
- 3) Remove the two screws (pos. A, fig. 1).
- 4) Revolve the handlebar by 180°, replace the two fixing screws and tighten the nuts (fig. 1, pos. A); pay close attention not to bend the steering cables.
- 5) Fix the handle adjuster lever, pay attention to the stops (fig. 1/B).
- 6) Fill engine oil to level (refer to relevant engine handbook).
- 7) Put oil into the gearbox. Use BLASIA 220 oil (or international equivalent ISO-L-CKD, DIN 51502 PGLP) quantity 1.7 lbs (750 g) fig. 1/C.
- 8) Connect the tiller to the quick coupling and fix it using the pin provided (fig. 1/D).
- 9) Add oil into the air filter in oil bath (for versions provided with this type of filter), use the same oil type as the engine oil (fig. 5).

### DO NOT TURN ON THE ENGINE WITHOUT FIRST CHECKING:

- all screws and nuts are well tightened;
- the reversing device lever on gearbox housing is on the right position (A, fig. 4);
- the attachments engaging lever (fig. 2 no. 3) is in idle position (in the picture the attachment is not engaged);
- the advancement control lever (fig. 2 no. 1) is in idle position (fig. 3);
- air filter is clean (fig. 5 - fig. 6);
- to fill in the tank use a funnel with a very fine filter;
- the attachments are properly fixed to the machine (fig. 1/D);
- adjust handlebar height (fig. 2 no. 4).

### HOW TO START THE ENGINE

Open the fuel tap when fitted (fig. 7 no. 2), push the throttle lever halfway (fig. 2 no. 5). Operate the deadman device (fig. 3). If the engine is cold operate the starter device on the carburettor (no. 1, fig. 7 and 7/A) choke position, (refer to relevant engine handbook); grip the starting handle (fig. 8) and jerk strongly.

When the engine has started it is necessary to set the starting device back to the RUN position; then the gas lever slowly to the minimum.

### HOW TO START THE MACHINE

Keep the engine at a low rating; engage the implement by leaving the lever no. 3 (fig. 2); accelerate properly and leave the wheel engaging lever (fig. 2 no. 1), the machine will start moving.

Pulling the lever no. 1 (fig. 2) the machine stops. Pulling the lever no. 2 (fig. 2) the machine goes backward (keep the engine at a low rating). To lock the lever, hook the lever clip (fig. 3).

### END OF WORK

When work is ended, to stop the engine operate the throttle lever in the version with HONDA engine; in the version with ROBIN engine operate the ON - OFF switch placed on the engine itself. Close the fuel tap (refer to relevant engine handbook).

### POSSIBLE INCONVENIENCES AND SOLUTIONS

The following inconveniences can be fixed up by the operator himself. If the engine does not start, check in the following order that:

- the fuel tank is at least half full;
- the fuel tap is open;
- the starting device is operating, when the engine is cold (choke no. 1 fig. 7, no. 1 fig. 7/A);
- fuel gets to the carburettor;
- the breather hole on the tank plug is not obstructed;
- the air filter is clean (fig. 5 - fig. 6);
- current gets to the spark plug (fig. 9) refer to relevant engine handbook. If current does not arrive, after checking the electric cables have no defects and the plug is clean, change the plug taking care to buy another one with the same heat rating. If this attempt also should turn out to be useless, the failure must be searched in the magneto flywheel; at this point it is advisable to go to the nearest Service Centre.

## MAINTENANCE AND LUBRICATION

### LUBRICATION

Do the following operations with machine in horizontal position.

N.B.: the oil change must be effected with warmed up machine in order to help the total oil drainage.

### ENGINE OIL

Follow the instructions on the engine operator's manual carefully. It is however necessary to check the oil level every 4 hours taking the plug off (fig. 10 no. 1) and checking that **oil reaches the maximum level**. Change lubricant the first time after 10 hours. Change it every 50 hours following the instructions on the engine operator's manual unscrewing the plug (fig. 10 no. 2).

**CAUTION!** Always keep engine oil at maximum level.

### GEARBOX OIL

Check oil level every 50 working hours unscrewing the plug (pos. B fig. 4). If necessary add some BLASIA 220 gearbox oil (or international equivalent ISO-L-CKD, DIN 51502 PGLP); quantity: 1.7 lbs (750 gr.), fig.1/C. Change oil once per year. To drain the oil unscrew the plug (fig. 11 no. 1).

### MAINTENANCE

After the first working hours, it might be necessary to check and adjust the wheel releasing cable and the reversing device cable acting on the adjuster situated on the handle (fig. 3). The quick coupling must be always clean and greased. To remove the fairing pull upward.

### END OF SEASON MAINTENANCE

Clean the machine, the rotary tiller and the air filter carefully. Change the gearbox as well as engine oil. Put two wooden boards under the wheels.

## IMPLEMENTS

### COUNTER ROTATING TILLER

The rotary tiller is used to break the superficial layer of the ground so that its permeability is increased and, at the same time, rid of weeds (fig. 12). This model has been developed to work on a particularly hard soil, where a traditional walking tractor would till with difficulties. The tines turns in the opposite directions as the driving wheels do, thanks to the counter rotation the machine clings to the ground and tills the soil more aggressively. For better tillage results pay attention to the weight you put onto the handle in order to make the machine advance evenly. Tilling depth can be adjusted by lifting or lowering the central skid (pos. A, fig. 12). To increase depth it is necessary to lift the skid.

## IMPORTANT

### CAUTION!

To protect the machine transmission, the rotary tiller is fitted with two safety screws, in case a stone or any other foreign object suddenly block the tiller rotation. Should this happen and the rotary tiller remains locked, it is necessary to replace the safety screws. It is advisable to have two safety screws in stock always. The part number is: 146374 (fig. 14).

**N.B.:** Check the tines are properly placed on (fig. 13). Check oil level every 20 hours (pos. A fig. 13) adding 85W/90 (international equivalent API GL5 or US MIL-L-2105D) lubricant, if necessary.

### NOISE LEVEL

Engine speed rpm	Equivalent acoustic Pressure level dB(A)
3060	79.5

### VIBRATION LEVELS

Engine speed rpm	Vibrations $a_{kw}$ m/s <sup>2</sup>
3060	2.2

# MOTOCOLTIVATORE G42

Gentile Cliente,

nel ringraziarLa per la fiducia e la preferenza accordata al nostro motocoltivatore, confidiamo che l'uso di questa sua nuova macchina risponda pienamente alle sue esigenze.

Per l'impiego ottimale e per la sua manutenzione nel tempo, la preghiamo di leggere attentamente e seguire scrupolosamente le indicazioni di questo libretto; ciò le consentirà di ottenere i massimi risultati e salvaguardare la sua spesa.

La preghiamo di conservare questo libretto, che dovrà sempre accompagnare la macchina.

**ATTENZIONE! Prima di avviare il motore leggere attentamente.**

**Le seguenti avvertenze sono importanti per l'incolumità dell'operatore!**

## NORME ANTINFORTUNISTICHE

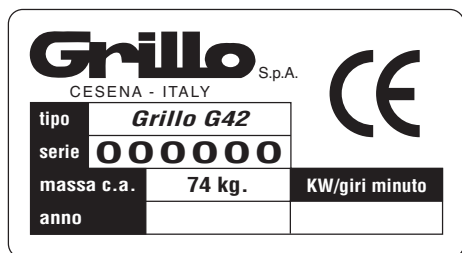
La prudenza è l'arma principale nella prevenzione degli incidenti!

La preghiamo vivamente di leggere con attenzione le seguenti avvertenze, prima ancora di iniziare il lavoro. L'uso improprio del motocoltivatore e il suo equipaggiamento possono risultare dannosi; per ridurre queste possibilità osservare le precauzioni necessarie riportate di seguito:

- 1) Leggere questo manuale interamente, prima di accendere e mettere in movimento il motocoltivatore.
- 2) Dare particolare attenzione alle ammonizioni e alle etichette di sicurezza attorno alla macchina.
- 3) La rotazione della fresa è altamente pericolosa, **non mettere mai le mani o i piedi sotto alla fresa.**
- 4) Prima di fare lavorare col motocoltivatore altre persone bisogna metterle al corrente delle norme di sicurezza e di come si usa la macchina.
- 5) Prima di accendere il motocoltivatore verificare che non ci siano persone intorno; specialmente bambini.
- 6) Non usare il motocoltivatore quando si è affaticati e non bere alcolici.
- 7) Controllare il terreno prima di procedere alla fresatura, che non vi siano sassi, bastoni o corpi estranei, che potrebbero danneggiare la macchina o essere scagliati lontano, e risultare quindi molto pericolosi.
- 8) **Prima di iniziare il lavoro, indossare indumenti da lavoro appropriati, guanti, scarponi, occhiali.**
- 9) Non usare il motocoltivatore su forti pendenze, si potrebbe ribaltare.
- 10) Non fare lavorare ragazzi troppo giovani; è vietato l'uso ai minori di 16 anni.
- 11) Non fare retromarcia col motore accelerato.
- 12) È pericoloso azionare le leve bruscamente, col motore a massimo regime.
- 13) Per evitare il pericolo di esalazioni velenose, non adoperare il motore acceso in un locale chiuso.
- 14) Spegner sempre il motore prima di fare rifornimento di combustibile, stare lontano da scintille o fiamme, non fumare!
- 15) Evitare fuoriuscite di combustibile e dopo aver riempito il serbatoio pulire ogni fuoriuscita prima di avviare il motore.
- 16) **Non manomettere o disattivare i dispositivi di sicurezza.**
- 17) **Non fare nessun tipo di regolazione o pulizia col motore in moto.**
- 18) **Non fare controllare la macchina da nessuno mentre siete alla guida col motore in moto.**
- 19) L'utilizzatore è sempre responsabile dei danni arrecati a terzi.
- 20) Ogni utilizzo improprio comporta il decadimento della garanzia ed il declino di ogni responsabilità del costruttore.
- 21) Le zappe deformate o danneggiate devono essere sempre sostituite, mai riparate.
- 22) Usare sempre ricambi originali Grillo.
- 23) Prima di cominciare qualsiasi lavoro con la macchina, verificare che tutti i sistemi antinfortunistici, di cui essa è dotata, siano perfettamente funzionanti. È severamente vietato escluderli o manometterli.
- 24) Prima di iniziare il lavoro, controllare che le viti e i dadi di bloccaggio della fresa e delle zappette siano perfettamente serrati.
- 25) L'attrezzatura protettiva (cofani, parafanghi, ecc.), va assolutamente mantenuta durante i lavori di zappatura.
- 26) Non pulire la fresa con il motore acceso.
- 27) Non utilizzare la macchina a piedi nudi.



## IDENTIFICAZIONE E ASSISTENZA



### IDENTIFICAZIONE

La macchina è fornita di una targhetta con il numero della macchina, posta sul telaio. Questo numero è indispensabile per ogni richiesta di intervento tecnico e per l'ordinazione dei ricambi.

### SERVIZIO ASSISTENZA

Questo manuale fornisce le indicazioni per l'uso del motocoltivatore. Per una corretta manutenzione interpellare il Rivenditore di Zona.

### RICAMBI

Si raccomanda di impiegare esclusivamente ricambi originali, gli unici che offrono caratteristiche di sicurezza e intercambiabilità.

Ogni richiesta deve essere corredata del numero di matricola della macchina e il numero di codice del pezzo da sostituire.

Per i ricambi del motore, attenersi a quanto indicato nel libretto specifico.

### GARANZIA

La garanzia è fornita nei modi e nei limiti indicati nell'apposita cartolina.

Per quanto riguarda il motore, valgono le condizioni previste dai rispettivi Produttori.

### RICAMBI DI SCORTA CONSIGLIATI

N. 1 filo acceleratore.

N. 1 filo innesto ruote.

N. 1 manettino acceleratore.

N. 1 zappa destra.

N. 1 zappa sinistra.

### COME ORDINARE I RICAMBI

Rivolgersi ai nostri centri ricambi presenti in ogni provincia; indicare sempre il numero di matricola della macchina. Per maggiori informazioni il nostro indirizzo è:

GRILLO S.p.A.

Via Cervese 1701 - 47023 CESENA (FC) ITALY

Tel. 0547.633111 - Fax 0547.632011

Web site: [www.grillospa.it](http://www.grillospa.it) / e-mail: [grillo@grillospa.it](mailto:grillo@grillospa.it)

## CARATTERISTICHE TECNICHE

**Motore:** 4 tempi a benzina HONDA GC 160, ROBIN EX17.

**Cambio:** Con ingranaggi in bagno d'olio, a 2 marce (una in avanti ed una in retromarcia).

**Presa di forza:** A 644 giri in versione motocoltivatore e senso di rotazione antiorario.

**Dispositivo di sicurezza:** Innestando la retromarcia la fresa si disinnesta automaticamente.

**Stegole:** Regolabili in altezza.

**Fresa:** standard mm. 500.

**Peso:** Con fresa 74 Kg.

**Velocità con ruote 4.00-8:** in avanti Km/h. 1,6 - in retromarcia Km/h. 2,5.

## ISTRUZIONI D'USO

### MESSA IN OPERA DELLA MACCHINA

- 1) Verificare l'integrità della macchina e che non abbia subito danni durante il trasporto.
- 2) Sollevare la carenatura ruote (fig. 1).
- 3) Togliere le due viti (pos. A, fig. 1)
- 4) Ruotare la stegola di 180°, reinserire le due viti di fissaggio e serrare i dadi (fig. 1, pos. A); fare attenzione ai cavi di comando: non piegarli.
- 5) Posizionare la levetta regolazione manubrio facendo attenzione ai fine corsa (fig. 1/B).
- 6) Inserire l'olio motore (vedi apposito libretto).
- 7) Inserire l'olio cambio utilizzando olio BLASIA 220 (ISO-L-CKD, DIN 51502 PGLP) quantità 750 g (fig. 1/C).
- 8) Montare la fresa nell'attacco rapido e bloccarla con l'apposito perno (fig. 1/D).
- 9) Inserire l'olio nel filtro aria a bagno d'olio (per versioni con questo tipo di filtro) utilizzare lo stesso tipo di olio del motore (fig. 5).

### PRIMA DI AVVIARE IL MOTORE CONTROLLARE SEMPRE:

- Che tutte le viti e i dadi siano ben serrati.
- Che la levetta invertitore sul carter cambio sia nella posizione giusta (pos. A fig. 4).
- Che la leva innesto attrezzi (fig. 2 n. 3) sia in posizione di folle (nella figura l'attrezzo è in folle).
- Che la leva comando avanzamento (fig. 2 n. 1) sia in posizione di folle (fig. 3).
- Che il filtro aria sia ben pulito (fig. 5 - fig. 6).
- Riempire il serbatoio di carburante servendosi di un imbuto munito di filtro molto fine.
- Che gli attrezzi siano ben fissati alla macchina (fig. 1/D).
- Posizionare all'altezza giusta la stegola (fig. 2 n. 4).

### AVVIAMENTO DEL MOTORE

Aprire il rubinetto del carburante, ove previsto (fig. 7 n. 2), spingere fino a metà la levetta comando gas (fig. 2 n. 5), agganciare il motor stop (fig. 3). Se il motore è freddo azionare il dispositivo di starter sul carburatore (n. 1, fig. 7 e 7/A) posizione choke (vedi libretto motore); afferrare la maniglia di avviamento (fig. 8) e dare uno strappo energico. Avviato il motore, ai primi scoppi, riportare lo starter in posizione RUN, poi lentamente la levetta acceleratore al minimo.

### AVVIAMENTO DELLA MACCHINA

Tenere il motore a basso regime, innestare l'attrezzo lasciando la leva n. 3 (fig. 2), accelerare opportunamente e lasciare la leva innesto ruote n. 1 (fig. 2), la macchina si metterà in movimento.

Tirando la leva n. 1 (fig. 2) la macchina si arresta.

Tirando la leva n. 2 (fig. 2) la macchina retrocede (tenere il motore a basso regime).

Per bloccare la leva agganciare il fermaglio (fig. 3).

### FINE LAVORO

Terminato il lavoro, per arrestare il motore agire sul manettino acceleratore posizione STOP versione con motore HONDA; nella versione con motore ROBIN agire sul pulsante ON – OFF posto sul motore; chiudere il rubinetto del carburante (vedi libretto motore).

### POSSIBILI INCONVENIENTI E LORO RIMEDI:

Diamo qui di seguito un elenco di piccoli inconvenienti che possono essere rimediati direttamente dal cliente.

Il motore non parte? Eseguire nell'ordine i seguenti controlli:

- Che il serbatoio della benzina sia pieno almeno per metà.
- Che il rubinetto della benzina sia aperto.
- Che lo starter sia azionato, se il motore è freddo (choke n. 1 fig. 7 e fig. 7/A).
- Che il carburante arrivi al carburatore.
- Che il foro di sfiato sul tappo del serbatoio non sia otturato.
- Che il filtro aria sia ben pulito (fig. 5 - fig. 6).
- Che arrivi corrente alla candela (fig. 9) - vedi libretto motore. Se la corrente non arriva dopo essersi assicurati la mancanza di difetti nei cavi elettrici e aver pulito la candela sostituirla avendo cura di acquistarne una con un grado termico uguale. Se anche questo tentativo dovesse risultare negativo il guasto è da ricercarsi nell'interno del volano magnetico, è consigliabile a questo punto rivolgersi al centro assistenza più vicino.

## MANUTENZIONE E LUBRIFICAZIONE

### LUBRIFICAZIONE

Eseguire le seguenti operazioni tenendo la macchina in posizione orizzontale.

**NOTE:** La sostituzione dell'olio va effettuata a macchina calda per favorire la fuoriuscita totale dell'olio.

### OLIO MOTORE

Attenersi scrupolosamente alle norme contenute nel libretto motore. È comunque indispensabile controllare il livello ogni 4 ore, togliere il tappo (n. 1 fig. 10) verificando che **l'olio arrivi al livello massimo** ed effettuare il primo cambio dopo 10 ore; successivamente cambiare l'olio ogni 50 ore (vedi libretto motore) svitando il tappo (n. 2 fig. 10).

Attenzione! Mantenere sempre l'olio motore al livello massimo.

### OLIO CAMBIO

Controllare il livello ogni 50 ore circa di lavoro svitando la vite (fig. 4 - pos. B) e se occorre, aggiungere olio per cambio BLASIA 220 (ISO-L-CKD, DIN 51502 PGLP), quantità: 750 g (fig. 1/C).

Sostituire l'olio una volta all'anno. Per togliere l'olio vecchio svitare il tappo (fig. 11, n. 1).

### MANUTENZIONE

Dopo le prime ore di lavoro controllare e registrare se necessario il filo disinnesto ruote e il filo invertitore agendo sul registro posto sulla maniglia (fig. 3).

L'attacco rapido va tenuto sempre ben pulito e lubrificato con grasso.

Per togliere la carenatura tirare verso l'alto.

### MANUTENZIONE DI FINE STAGIONE

Pulire la macchina, il filtro aria e la fresa con cura.

Sostituire l'olio motore e l'olio cambio.

Mettere due assicelle di legno sotto le ruote.

## ATTREZZI

### FRESA CONTROROTANTE

La fresa serve per rompere lo strato superficiale del terreno onde aumentarne la permeabilità ed allo stesso tempo per liberarlo dalle erbe infestanti (fig. 12). Questa fresa è particolarmente indicata per terreni duri, tenaci dove un motocoltivatore tradizionale freserebbe con difficoltà. La rotazione delle zappe contraria a quella delle ruote motrici mantiene ben aderente la macchina al terreno, e permette di fresare il terreno più aggressivamente. Per eseguire un buon lavoro è molto importante la pressione che si esercita sul manubrio di guida per fare avanzare la macchina uniformemente.

La profondità di fresatura può essere variata alzando od abbassando lo slittino centrale (pos. A, fig. 12).

Per aumentare la profondità bisogna spostare lo slittino verso l'alto.

## IMPORTANTE

### ATTENZIONE!

Sulla fresa sono montate due viti di sicurezza atte a proteggere la trasmissione della macchina, qualora una pietra o un altro corpo estraneo blocchi bruscamente la rotazione della fresa. Se dovesse capitare quanto detto e la fresa anche se innestata non girasse più, occorre sostituire le viti di sicurezza. È consigliabile tenerne sempre due di scorta: il suo numero di riferimento per eventuali richieste è 146374 (fig. 14).

**N.B. - Controllare che il montaggio dei coltelli sia corretto (vedi fig. 13). Verificare il livello dell'olio ogni 20 ore posto sul coperchio carter (pos. A, fig. 13) se occorre, aggiungere olio 85W/90 (corrispondenze internazionali API GL5 oppure US MIL-L-2105D).**

### RUMOROSITÀ

Regime di rotazione del motore giri/min.	Livello equivalente di pressione acustica dB(A)
3060	79,5

### RILIEVO DEI LIVELLI DI VIBRAZIONE

Regime di rotazione del motore giri/min.	Vibrazioni $a_{kw}$ m/s <sup>2</sup>
3060	2,2

# MOTOCULTEUR G42

Cher Client,

Nous vous remercions de la confiance et de la préférence que vous avez bien voulu accorder à notre motoculteur et sommes certains que son usage répondra entièrement à vos exigences.

Pour une utilisation optimale et un entretien à long terme, nous vous demandons de lire attentivement et de suivre scrupuleusement les indications contenues dans ce livret: cela vous permettra d'obtenir d'excellents résultats et de sauvegarder votre investissement.

Nous vous demandons de conserver ce manuel qui devra toujours accompagner la machine.

**ATTENTION! Lire attentivement les instructions avant de mettre le moteur en marche.**

**Les précautions suivantes sont importantes pour la sécurité de l'opérateur!**

## NORMES POUR LA PREVENTION DES ACCIDENTS

La prudence est la meilleure arme pour la prévention des accidents!

Nous vous demandons de lire attentivement les normes suivantes avant même de commencer le travail. L'utilisation inadéquate du motoculteur et de son équipement peut être dangereuse; pour réduire ces éventualités de danger, veuillez respecter les précautions nécessaires décrites ci-après:

- 1) Lire entièrement ce manuel avant d'allumer et de mettre en mouvement le motoculteur.
- 2) Suivre avec une attention particulière les mises en garde et les étiquettes de sécurité placées autour de la machine.
- 3) La rotation de la fraise est extrêmement dangereuse, **ne jamais mettre les mains ou les pieds sous la fraise.**
- 4) Avant de confier votre motoculteur à d'autres personnes, il faut leur illustrer aussi bien les normes de sécurité que le mode d'emploi.
- 5) Avant d'allumer le motoculteur, vérifier qu'il n'y a personne aux alentours et, en particulier, qu'il n'y a pas d'enfants.
- 6) Ne pas utiliser le motoculteur en cas de fatigue et ne pas boire d'alcools.
- 7) Contrôler le terrain avant d'effectuer le fraissage, vérifier qu'il n'y a pas de pierres, de bâtons ou de corps étrangers qui pourraient endommager la machine ou être lancés au loin et donc être très dangereux.
- 8) **Avant de commencer le travail, revêtir des vêtements de travail appropriés, des gants, des bottes et des lunettes.**
- 9) Ne pas utiliser le motoculteur sur des pentes abruptes car il pourrait se renverser.
- 10) Ne pas faire travailler des personnes trop jeunes; l'utilisation de la machine est interdite aux mineurs de moins de 16 ans.
- 11) Ne pas faire marche arrière avec le moteur accéléré.
- 12) Il est dangereux d'actionner brusquement les leviers, avec le moteur à plein régime.
- 13) Pour éviter le danger d'exhalaisons toxiques, ne pas faire tourner le moteur dans un local fermé.
- 14) Eteindre toujours le moteur avant de faire le plein de combustible; s'éloigner des étincelles ou des flammes et ne pas fumer!
- 15) Eviter les fuites de combustible; après avoir rempli le réservoir, nettoyer soigneusement les fuites avant d'activer le moteur.
- 16) **Ne pas altérer ou désactiver les dispositifs de sécurité.**
- 17) **N'effectuer aucun réglage ou nettoyage avec le moteur en marche.**
- 18) **Ne pas faire contrôler la machine lorsque le conducteur est au volant avec le moteur en marche.**
- 19) L'utilisateur est toujours responsable des dommages occasionnés aux tiers.
- 20) Toute utilisation impropre annule la garantie et supprime la responsabilité du constructeur.
- 21) Les houes déformées ou endommagées doivent être remplacées, jamais réparées.
- 22) Utiliser toujours des pièces de rechange Grillo d'origine.
- 23) Avant de commencer à travailler avec la machine, vérifier que tous les systèmes contre les accidents dont la machine est équipée fonctionnent parfaitement. Il est formellement interdit de les exclure ou de les modifier.
- 24) Avant de commencer le travail, contrôler que les vis et écrous de blocage de la fraise et des houes sont bien serrés.
- 25) Les équipements de protection (capots, garde-boue, etc.) doivent être maintenus durant les travaux de binage.
- 26) Ne pas nettoyer la fraise lorsque le moteur est allumé.
- 27) Ne pas utiliser la machine nu-pieds.



## IDENTIFICATION ET ASSISTANCE

<b>Grillo</b> S.p.A. CESENA - ITALY			
tipo	<b>Grillo G42</b>		
serie	<b>000000</b>		
massa c.a.	<b>74 kg.</b>	<b>KW/giri minuto</b>	
anno			

### IDENTIFICATION

La machine est munie d'une plaquette placée sur le châssis qui indique le numéro de série.

Ce numéro est indispensable pour toute demande d'intervention technique et pour les commandes de pièces détachées.

### SERVICE ASSISTANCE

Ce manuel fournit toutes les indications concernant l'emploi du motoculteur. Pour un entretien correct, contacter le Revendeur responsable de la Zone.

### PIECES DETACHEES

Nous conseillons vivement d'utiliser exclusivement des pièces détachées d'origine, les seules qui offrent des caractéristiques de sécurité et d'interchangeabilité.

Toutes les demandes doivent indiquer le numéro de série de la machine et le numéro de code de la pièce à remplacer.

Pour les pièces détachées relatives au moteur, respecter les indications contenues dans le livret spécifique.

### GARANTIE

La garantie est assurée selon les modes et les limites indiqués sur le coupon correspondant.

En ce qui concerne le moteur, respecter les indications prévues par les Constructeurs respectifs.

### PIECES DE RECHANGE QUE NOUS CONSEILLONS D'AVOIR EN RESERVE

- N. 1 câble accélérateur
- N. 1 câble embrayage des roues
- N. 1 manette d'accélérateur
- N. 1 couteau droit
- N. 1 couteau gauche

### COMMENT COMMANDER LES PIECES DETACHEES

Contactez nos Centres pièces détachées présents dans chaque département; indiquer toujours le numéro de série de la machine.

Pour toute question voici notre adresse:

GRILLO S.p.A.

Via Cervese 1701 - 47023 CESENA (FC) - Italie

Tel. 0039 - 0547 - 633111 / Fax 0039 - 0547 - 632011

Site Internet: [www.grillospa.it](http://www.grillospa.it) / e-mail: [grillo@grillospa.it](mailto:grillo@grillospa.it)

## CARACTÉRISTIQUES TECHNIQUES

**Moteur:** à 4 temps à essence HONDA GC 160, ROBIN EX17.

**Boîte de vitesses:** avec engrenages à bain d'huile à deux vitesses (une marche avant et une marche arrière).

**Prise de force:** à 644 tours pour la version motoculteur dans le sens contraire des aiguilles d'une montre.

**Dispositif de sécurité:** en embrayant la marche arrière, la fraise se désactive automatiquement.

**Mancherons:** réglables en hauteur.

**Fraise:** standard mm 500.

**Poids:** avec fraise 74 kg.

**Vitesse avec roues 4.00-8:** en marche avant: Km/h 1,6 - en marche arrière: Km/h 2,5.

## MODE D'EMPLOI

### MISE EN MARCHÉ DE LA MACHINE

- 1) Vérifier que la machine est intacte et qu'elle n'a pas subi de dommages durant le transport.
- 2) Soulever le carénage roues (fig. 1).
- 3) Enlever les deux vis (pos. A fig. 1).
- 4) Tourner le mancheron de 180°, réintroduire les deux vis de fixation et serrer les écrous (fig. 1, pos. A); faire attention aux câbles de commande: ne pas les plier.
- 5) Positionner le levier de réglage poignée en faisant attention aux fins de course (fig. 1/B).
- 6) Verser l'huile moteur (voir livret correspondant).
- 7) Verser l'huile boîte de vitesses en utilisant de l'huile BLASIA 220 (ISO-L-CKD, DIN 51502 PGLP) quantité 750 g (fig. 1/C).
- 8) Monter la fraise sur l'attache rapide et la bloquer avec le goujon prévu à cet effet (fig. 1/D).
- 9) Introduire l'huile dans le filtre à air à bain d'huile (pour les versions équipées de ce type de filtre), utilisant le même type d'huile que pour le moteur (fig. 5).

### AVANT DE DEMARRER LE MOTEUR, CONTROLER TOUJOURS:

- Que toutes les vis et tous les écrous sont bien serrés.
- Que la manette inverseur sur le carter boîte de vitesses est dans la bonne position (pos. A fig. 4).
- Que le levier d'embrayage des outils (fig. 2 n. 3) est au point mort (sur la figure l'outil est au point mort).
- Que le levier de commande d'avancement (fig. 2 n. 1) est au point mort (fig. 3).
- Que le filtre à air est propre (fig. 5 - fig. 6).
- Remplir le réservoir d'essence en se servant d'un entonnoir muni d'un filtre très fin.
- Que les outils sont bien fixés à la machine (fig. 1/D).
- Régler le mancheron à la hauteur voulue (fig. 2 n. 4).

### DÉMARRAGE DU MOTEUR

Ouvrir le robinet du carburant où prévue (fig. 7 n. 2), pousser jusqu'à mi-course le levier de commande du gaz (fig. 2 n. 5), tirer le levier du motor-stop (fig. 3). Si le moteur est froid, actionner le dispositif du starter sur le carburateur (n. 1, fig. 7 & 7/A) position volet de départ (voir livret moteur); empoigner le levier du démarreur (fig. 8) et tirer énergiquement. Dès que le moteur se met en marche, ramener le starter en position **RUN**, et lentement l'accélérateur au minimum.

### DÉMARRAGE DE LA MACHINE

Tenir le moteur au ralenti, embrayer l'outil en lâchant le levier n. 3 (fig. 2), commencer à accélérer et relâcher le levier d'embrayage des roues n. 1 (fig. 2), la machine se mettra en mouvement. En tirant le levier n. 1 (fig. 2), la machine s'arrête. En tirant le levier n. 2 (fig. 2), la machine fait marche arrière (tenir le moteur au ralenti). Pour bloquer le levier, accrocher le bloque-levier (fig. 3).

### FIN DU TRAVAIL

Dès que le travail est fini, arrêter le moteur en agissant sur le levier accélérateur position STOP version avec moteur HONDA; dans la version avec moteur ROBIN, agir sur le bouton ON-OFF placé sur le moteur; fermer le robinet du carburant (voir livret moteur).

### POSSIBLES INCONVÉNIENTS ET LEURS SOLUTIONS:

Nous vous fournissons ci-après une liste de petits inconvénients qui peuvent être résolus directement par le client:

Le moteur ne démarre pas. Contrôler dans l'ordre:

- Que le réservoir d'essence est plein au moins jusqu'à la moitié.
- Que le robinet de l'essence est ouvert.
- Que le starter est actionné, si le moteur est froid (volet de départ n. 1 fig. 7 et n. 1 fig. 7/A).
- Que le carburant arrive au carburateur.
- Que le trou à évent placé sur le bouchon du réservoir n'est pas obstrué.
- Que le filtre à air est propre (fig. 5 - fig. 6).
- Que le courant arrive à la bougie (fig. 9) – voir livret moteur. Si le courant n'arrive pas après avoir vérifié l'absence de défauts dans les câbles électriques et après avoir nettoyé la bougie, la remplacer par une bougie avec un degré thermique identique. Si cette dernière tentative n'aboutit à aucun résultat, la panne est à chercher à l'intérieur du volant magnéto; dans ce cas, nous vous conseillons de vous adresser au centre d'assistance le plus proche.

## ENTRETIEN ET LUBRIFICATION

### GRAISSAGE

Les opérations qui suivent doivent être exécutées en maintenant la machine en position horizontale.

**NOTES:** L'huile doit être changée quand la machine est encore chaude pour favoriser la sortie totale du lubrifiant.

### HUILE MOTEUR

Suivre à la lettre les normes contenues dans le livret moteur. Il est en outre indispensable de contrôler le niveau d'huile toutes les 4 heures: soulever le bouchon (n. 1 fig. 10), vérifier que **l'huile arrive au niveau maximum**, effectuer le premier changement après 10 heures, puis changer l'huile toutes les 50 heures (voir livret moteur) en dévissant le bouchon (n. 2 fig. 10).

Attention! Garder l'huile moteur au niveau maximum.

### HUILE POUR BOITE DE VITESSE

Contrôler le niveau de l'huile toutes les 50 heures de travail environ en dévissant la vis (fig. 4 - pos. B) et au besoin ajouter de l'huile pour boîte de vitesse BLASIA 220 (ISO-L-CKD, DIN 51502 PGLP), quantité: 750 g (fig. 1/C). Changer l'huile une fois par an. Pour éliminer la vieille huile, dévisser le bouchon (fig. 11, n. 1).

### ENTRETIEN

Après les premières heures de travail, contrôler et régler, si nécessaire, le câble de débrayage des roues et le câble d'inverseur en agissant sur le réglage placé sur la poignée (fig. 3). L'attache rapide doit être toujours propre et graissée. Pour enlever le carénage, tirer vers le haut.

### ENTRETIEN DE FIN DE SAISON

Nettoyer soigneusement la machine, le filtre à air et la fraise.

Changer l'huile moteur et l'huile boîte de vitesses.

Mettre deux planchettes en bois sous les roues.

## ACCESSOIRES

### FRAISE CONTRAROTATIVE

La fraise sert à rompre la couche superficielle du terrain pour en augmenter la perméabilité et en même temps désherber (fig. 12). Cette fraise est particulièrement indiquée pour les terrains durs et tenaces où un motoculteur traditionnel aurait du mal à fraiser. La rotation des houes dans le sens contraire des roues motrices permet à la machine de bien adhérer au terrain et de fraiser le terrain de manière plus agressive. Pour garantir un bon travail est très importante la pression exercée sur la poignée pour faire avancer la machine uniformément. La profondeur du fraisage peut être variée en abaissant ou en soulevant le patin central (pos. A, fig. 12). Pour augmenter la profondeur, déplacer le patin vers le haut.

## IMPORTANT

### ATTENTION!

Deux vis de sécurité sont montées sur la fraise pour protéger la transmission de la machine, dans le cas où une pierre ou un autre corps étranger bloquerait brusquement la rotation de la fraise.

Si cela était le cas et si la fraise, même embrayée, ne tournait plus, remplacer les vis de sécurité. Nous vous conseillons de toujours garder deux vis de réserve: son numéro de référence pour une éventuelle demande est 146374 (fig. 14).

**N.B.:** Contrôler que les couteaux sont montés correctement (voir fig. 13). Vérifier le niveau de l'huile placé sur le couvercle du carter toutes les 20 heures (pos. A, fig. 13) et s'il le faut, ajouter de l'huile 85W/90 (correspondances internationales API GL5 ou bien US MIL-L-2105D).

### BRUIT

Régime de rotation du moteur tours par minute	Niveau équivalent de pression acoustique dB(A)
3060	79,5

### RELEVÉ DES NIVEAUX DE VIBRATION

Régime de rotation du moteur tours par minute	Vibrations $a_{kw}$ m/s <sup>2</sup>
3060	2,2

# EINACHSSCHLEPPER G42

Sehr geehrter Kunde,

wir danken Ihnen für Ihr Vertrauen, und sind sicher, dass Sie mit Ihrem neuen Einachsschlepper voll und ganz zufrieden sein werden.

In diesem Handbuch finden Sie alles, was Sie für den Gebrauch und die Wartung Ihrer Maschine wissen müssen. Lesen Sie es daher aufmerksam durch, und halten Sie sich genau an die Anleitungen, damit Sie auch wirklich immer optimale Resultate erzielen und lange Freunde an Ihrer Maschine haben werden. Bewahren Sie dieses Handbuch immer zusammen mit der Maschine auf.

***ACHTUNG! Vor dem Anlassen des Motors die folgenden sicherheitsrelevanten Hinweise genau durchlesen.***

## UNFALLVERHÜTUNGSMASSNAHMEN

Vorsicht ist immer die beste Maßnahme, um Unfälle zu vermeiden!

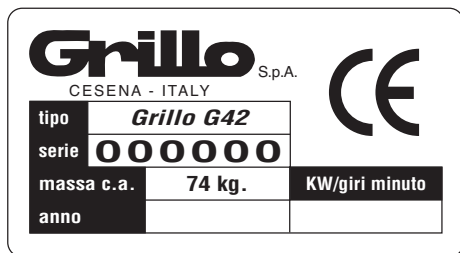
Lesen Sie die folgenden Hinweise genau durch, bevor Sie mit der Arbeit beginnen.

Ein unsachgemäßer Gebrauch der Maschine und ihrer Ausrüstung kann Personen- oder Sachschäden zur Folge haben. Um alle eventuellen Risiken auf ein Minimum zu reduzieren, sind die folgenden Hinweise genauestens zu beachten.

- 1) Lesen Sie dieses Handbuch vor der ersten Benutzung der Maschine sorgfältig und ganz durch.
- 2) Die auf der Maschine angebrachten Hinweise bzw. Plaketten beachten.
- 3) **Hände und Füße von der rotierenden Fräse fernhalten** - Verletzungsgefahr!
- 4) Soll die Maschine von einer anderen Person benutzt werden, ist diese vorher genauestens im Gebrauch und über die Unfallverhütungsmaßnahmen zu unterweisen.
- 5) Vergewissern Sie sich vor dem Einschalten der Maschine, dass sich keine anderen Personen und vor allem keine Kinder in der Nähe befinden.
- 6) Das Gerät auf keinen Fall benutzen, wenn Sie unter Alkoholeinfluss stehen und/oder müde sind.
- 7) Vor dem Fräsen den Boden kontrollieren; Steine, Stöcke oder andere Gegenstände können von der Fräse weggeschleudert werden oder die Maschine beschädigen, und müssen daher entfernt werden.
- 8) **Beim Arbeiten immer geeignete Arbeitskleidung, Handschuhe, Arbeitsschuhe und Schutzbrille tragen.**
- 9) Die Maschine nicht auf steilen Hängen einsetzen; sie könnte sich überschlagen.
- 10) Das vorgeschriebene Mindestalter für die Benutzung der Maschine beträgt 16 (sechzehn) Jahre.
- 11) Im Rückwärtsgang nur langsam fahren.
- 12) Bei hohen Motordrehzahlen müssen die Bedienungshebel "mit Gefühl" benutzt werden.
- 13) Den Motor nicht in geschlossenen Räumen laufen lassen (Vergiftungsgefahr - gefährliche Abgase).
- 14) Beim Nachtanken den Motor immer abschalten, nicht rauchen, und offene Flammen bzw. Funken aus dem Gefahrenbereich entfernen.
- 15) Keinen Treibstoff verschütten, und beim Tanken ausgetretenen/verschütteten Treibstoff vor dem Anlassen des Motors entfernen.
- 16) **Die Sicherheitsvorrichtungen auf der Maschine niemals außer Funktion setzen bzw. entfernen!**
- 17) **Niemals mit laufendem Motor Reinigungsarbeiten bzw. Einstellungen durchführen.**
- 18) **Die Maschine niemals von einer anderen Person kontrollieren lassen, während Sie selbst auf der Maschine sitzen und der Motor läuft.**
- 19) Der Benutzer ist immer für anderen Personen zugefügte Schäden verantwortlich!
- 20) Jeder unsachgemäße Gebrauch hat den Verfall des Garantieanspruches und der Haftung des Herstellers zur Folge.
- 21) Beschädigte bzw. verformte Hacken nicht reparieren, sondern immer auswechseln.
- 22) Ausschließlich Original-Grillo-Ersatzteile verwenden.
- 23) Vor jeder Benutzung der Maschine sicherstellen, dass alle Sicherheitseinrichtungen funktionieren. Es ist strengstens untersagt, die Sicherheitseinrichtungen außer Funktion zu setzen oder zu entfernen.
- 24) Vor jeder Benutzung der Maschine sicherstellen, dass alle Schrauben und Feststellmutter der Fräs- bzw. der Hackeinrichtung gut angezogen sind.
- 25) Die Schutzverkleidung (Gehäuse, Kotbleche, usw.) darf nicht abmontiert werden.
- 26) Die Fräseinrichtung niemals mit laufendem Motor reinigen.
- 27) Niemals barfuss arbeiten.



## IDENTIFIKATION UND KUNDENDIENST



### IDENTIFIKATION DER MASCHINE

Auf dem Maschinenrahmen befindet sich eine Plakette mit der Seriennummer der Maschine, die für die Bestellung von Ersatzteilen und bei allen die Maschine betreffenden Anfragen an den Hersteller/Händler anzugeben ist.

### KUNDENDIENST

Dieses Handbuch enthält die Gebrauchsanweisung der Maschine. Für eine korrekte Wartung wenden Sie sich bitte an Ihren Grillo-Händler.

### ERSATZTEILE

Verwenden Sie bitte aus Sicherheitsgründen, und um Beschädigungen der Maschine zu vermeiden, nur Original-Grillo-Ersatzteile.

Bei jeder Ersatzteilbestellung bitte immer die Seriennummer der Maschine und die Bestellnummer des auszutauschenden Teils angeben.

Zum Bestellen von Ersatzteilen für den Motor beachten Sie bitte die Hinweise im Handbuch des Motors.

### GARANTIE

Die Garantiebedingungen finden Sie auf dem beiliegenden Garantieschein.

Für den Motor gelten die vom Hersteller vorgegebenen Garantiebedingungen.

### WIR EMPFEHLEN IHNEN, DIE FOLGENDEN ERSATZTEILE VORRÄTIG ZU HALTEN:

- 1 Gasseil
- 1 Kupplungsseil für den Radantrieb
- 1 Gashebel
- 1 rechte Hacke
- 1 linke Hacke

### BESTELLEN VON ERSATZTEILEN

Immer die Seriennummer der Maschine und die Bestellnummer des gewünschten Ersatzteils angeben. Wenden Sie sich bitte an unsere Gebietsvertretungen. Unsere Adresse für weitere Informationen:

GRILLO S.p.A.

Via Cervese 1701 - 47023 CESENA (FC)

Tel. +39 - 0547 - 633111 / Fax +39 - 0547 - 632.011

Web site: [www.grillospa.it](http://www.grillospa.it) / e-mail: [grillo@grillospa.it](mailto:grillo@grillospa.it)

## TECHNISCHE DATEN

**Motor:** 4-Takt-Benzinmotor HONDA GC 160, ROBIN EX17

**Getriebe:** 2 Gänge (1 Vorwärts- und 1 Rückwärtsgang) mit Zahnrädern im Ölbad

**Zapfwelle:** Version Einachsschlepper 644 Umdrehungen gegen den Uhrzeigersinn

**Sicherheitsvorrichtung:** Bei Einlegen des Rückwärtsganges kuppelt sich die Fräse automatisch aus

**Lenkholm:** In der Höhe verstellbar

**Fräse:** Standard 500 mm

**Gewicht:** Mit Fräse 74 kg

**Geschwindigkeit mit Rädern 4.00-8:** Vorwärtsgang 1,6 km/h, Rückwärtsgang 2,5 km/h

# BEDIENUNGSANLEITUNG

## INBETRIEBNAHME DER MASCHINE

- 1) Die Maschine auf Transportschäden untersuchen.
- 2) Die Radverkleidung (Abb. 1) anheben.
- 3) Die beiden Schrauben (Pos. A, Abb. 1) abnehmen.
- 4) Den Lenkholm um 180° drehen, die beiden Befestigungsschrauben wieder einsetzen, und die Muttern anziehen (Abb. 1, pos. A); dabei darauf achten, dass Gas- und Kupplungsseil nicht beschädigt werden.
- 5) Den Hebel zum Einstellen des Lenkers einstellen; dabei die Endstellungen beachten (Abb. 1/B).
- 6) Motoröl einfüllen (s. Motorhandbuch).
- 7) Getriebeöl einfüllen: BLASIA 220 (ISO-L-CKD, DIN 51502 PGLP), Menge 750 g (Abb. 1/C).
- 8) Die Fräse an der Schnellkupplung montieren und mit Hilfe des Stiftes feststellen (Abb. 1/D).
- 9) Öl im Luftfilter Olbad einfüllen (für Versionen mit diesem Filtertyp), das selbe Öl wie für den Motor verwenden (Abb. 5).

## VERGEWISSERN SIE SICH VOR DEM ANLASSEN DES MOTORS IMMER:

- Dass alle Schrauben und Schraubenmutter fest angezogen sind
- Dass der Umkehrhebel auf dem Getriebekasten in der richtigen Position ist (Pos. A, Abb. 4)
- Dass der Geräteeinschalthebel (Abb. 2 Nr. 3) auf Leerlauf steht (die Abbildung zeigt das Gerät im Leerlauf).
- Dass der Antriebshebel (Abb. 2 Nr. 1) auf Leerlauf steht (Abb. 3).
- Dass der Luftfilter sauber ist (Abb. 5 - Abb. 6).
- Den Kraftstoff mit Hilfe eines mit einem feinen Filter ausgerüsteten Trichters in den Tank füllen.
- Dass die Anbaugeräte gut an der Maschine befestigt sind (Abb. 1/D).
- Dass die richtige Lenkholmhöhe eingestellt ist (Abb. 2 Nr. 4).

## ANLASSEN DES MOTORS

Den Benzinhahn öffnen wenn eingeführt (Abb. 7 Nr. 2), den Gashebel bis zur Hälfte drücken (Abb. 2 Nr. 5), die Sicherheitsvorrichtung einhaken (Abb. 3). Bei kaltem Motor die Starthilfe (Choker) auf dem Vergaser betätigen (Nr. 1 Abb. 7 und 7/A) (siehe Motorhandbuch). Kräftig am Seilzugstartergriff (Abb. 8) ziehen. Sobald der Motor angesprungen ist, kann man die Starterhilfe wieder auf **RUN** stellen, und dann den Gashebel langsam auf Minimum zurückstellen.

## ANFAHREN

Die Motordrehzahl niedrig halten. Durch Loslassen des Hebels Nr. 3 (Abb. 2) das Gerät einkuppeln. Gas geben und den Radkupplungshebel loslassen (Abb. 2 Nr. 1), damit sich die Maschine in Bewegung setzt. Zieht man den Hebel Nr. 1 (Abb. 2), hält die Maschine an. Zieht man den Hebel Nr. 2 (Abb. 2), fährt die Maschine rückwärts (immer langsam fahren). Zum Feststellen des Hebels das Halterungssystem einhacken (Abb. 3).

## ENDE DER ARBEIT

Nach Beendigung der Arbeit zum Abstellen des Motors bei einem HONDA-Motor den Gashebel auf STOP stellen, bei einem ROBIN-Motor die Taste ON-OFF auf dem Motor drücken; dann den Benzinhahn schließen (siehe Motorhandbuch).

## MÖGLICHE STÖRUNGEN UND DEREN BEHEBUNG:

Nachfolgend finden Sie eine Liste von kleinen Störungen, die eventuell auftreten und vom Kunden selbst behoben werden können.

Der Motor springt nicht an:

Der Reihe nach die folgenden Kontrollen vornehmen:

- Der Benzintank sollte mindestens bis zur Hälfte gefüllt sein
- Der Benzinhahn muss offen sein
- Die Starterhilfe (Choker) sollte bei kaltem Motor betätigt werden (Nr. 1, Abb. 7 und Abb. 7/A)
- Das Benzin muss den Vergaser erreichen
- Das Entlüftungsloch auf dem Tankdeckel darf nicht verstopft sein
- Der Luftfilter muss sauber sein (Abb. 5 - Abb. 6)
- Die Zündkerze muss mit Strom versorgt werden (Abb. 9) - siehe Motorhandbuch. Ist dies nicht der Fall, zuerst die Stromkabeln kontrollieren, dann die Kerze reinigen, und ggf. durch eine neue Zündkerze mit gleichem Wärmegrad ersetzen. Funktioniert die Maschine noch immer nicht, ist der Fehler im Innern des magnetischen Schwungrades zu suchen. Wir empfehlen Ihnen, sich in diesem Fall an die nächste Kundendienststelle zu wenden.

## WARTUNG UND SCHMIERUNG

### SCHMIEREN

Die Maschine muss bei den folgenden Eingriffen immer waagrecht stehen.

**Anmerkung:** Der Ölwechsel darf nur mit betriebswarmer Maschine vorgenommen werden, damit auch wirklich das gesamte Öl abfließt.

### MOTORÖL

Die Hinweise im Motorhandbuch genauestens beachten. Der Ölstand muss unbedingt alle 4 Stunden kontrolliert werden; dazu den Verschluss entfernen (Nr. 1 Abb. 10) und prüfen, ob **das Öl den Höchststand erreicht**; nach 10 Betriebsstunden den ersten Ölwechsel vornehmen, danach das Öl alle 50 Betriebsstunden wechseln (siehe Handbuch des Motors); dazu den Verschluss ausschrauben (Nr. 2 Abb. 10). **Achtung!** Der Ölstand muss immer auf Maximum gehalten werden.

### GETRIEBEÖL

Ungefähr alle 50 Betriebsstunden die Schraube (Abb. 4 Pos. B) ausschrauben, und den Ölstand kontrollieren; ggf. BLASIA 220 (ISO-L-CKD, DIN 51502 PGLP) nachfüllen; Menge: 750 g. Einmal im Jahr einen Ölwechsel vornehmen. Zum Ablassen des alten Öls den Verschluss (Abb. 11 Nr. 1) ausschrauben.

### WARTUNG

Nach den ersten Betriebsstunden das Kupplungsseil der Räder und das Wendegetriebeseil kontrollieren und ggf. justieren (mit Hilfe der Einstellungsschraube auf dem Handgriff Abb. 3). Die Schnellkupplung muss stets sauber und gut gefettet sein. Zum Entfernen der Verkleidung diese nach oben ziehen.

### WARTUNG AM SAISONENDE

Die Maschine, den Luftfilter und die Fräse sorgfältig reinigen. Das Motoröl und das Getriebeöl auswechseln. Zwei Holzlatten unter die Räder legen.

## ZUSATZGERÄTE

### GEGENLÄUFIGE FRÄSE

Die Fräse dient zum Auflockern der oberen Erdschicht, um deren Durchlässigkeit zu erhöhen und gleichzeitig Unkraut zu beseitigen (Abb. 12). Diese Fräse eignet sich besonders für harte Böden, bei denen der herkömmliche Motorkultivator nur mit Mühe fräsen kann. Da die Hacken nicht in die selbe Richtung drehen wie die Antriebsräder (also gegenläufig sind), hat die Maschine eine ausgezeichnete Bodenhaftung und kann besser arbeiten. Um ein gutes Fräsbild zu erhalten, muss man so auf den Lenker drücken, dass die Maschine gleichmäßig vorwärts fährt. Die Einfräsungstiefe kann durch Verstellen der Zentralkufe eingestellt werden (Pos. A, Abb. 12). Zum Erhöhen der Tiefe muss die kufe nach oben verstellt werden.

## WICHTIG

### ACHTUNG!

Auf der Fräse sind zwei Sicherheitsschreiben angebracht, um das Triebwerk der Maschine zu schützen. Stoppt ein Stein oder ein andere Fremdkörper plötzlich die Umdrehung der Fräse, treten diese Sicherheitsschreiben in Kraft. Dreht die Maschine, obwohl sie eingekuppelt ist, dennoch nicht, müssen die Sicherheitsschreiben ersetzt werden. Es ist ratsam, stets zwei Ersatzschreiben zur Verfügung zu haben. Die Kennziffer für eventuelle Nachfragen ist 146374 (Abb. 14).

**NB: Vergewissern Sie sich, dass die Klingen korrekt montiert sind (siehe Abb. 13). Alle 20 Stunden auf dem Gehäusedeckel den Ölstand kontrollieren (Pos. A, Abb. 13), und ggf. Öl 85W/90 (äquivalente Produkte: API GL5 oder US MIL-L-2105D) nachfüllen.**

### LÄRMEMISSION

Drehzahl des Motors in UpM	Äquivalenter Schalldruckpegel in dB(A)
3060	79,5

### MESSUNG DER VIBRATIONEN

Drehzahl des Motors in UpM	Vibrationen $a_{kw}$ m/s <sup>2</sup>
3060	2,2

# MOTOCULTOR G42

Amable cliente:

dándole las gracias por la confianza y la preferencia otorgada a nuestro motocultor, confiamos en que el uso de esta nueva máquina satisfaga plenamente a sus necesidades.

Para un óptimo uso y para su mantenimiento a través del tiempo, le rogamos lea atentamente y siga escrupulosamente las indicaciones de este manual; esto le permitirá obtener los mejores resultados y proteger su inversión.

Le rogamos que guarde este manual, el cual tendrá que acompañar siempre la máquina.

***¡ATENCIÓN! Antes de arrancar el motor leer atentamente.***

***¡Las siguientes advertencias son importantes para su integridad física!***

## **NORMAS CONTRA ACCIDENTES**

La prudencia es el arma principal en la prevención de los accidentes.

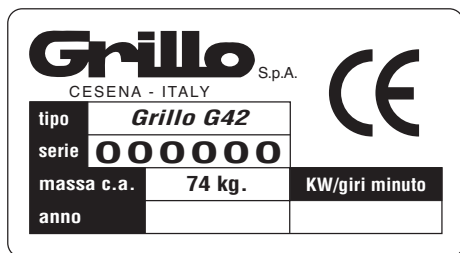
Le rogamos vivamente que lea con atención las advertencias siguientes sobre el uso de la máquina, antes de empezar el trabajo.

El uso incorrecto del motocultor y de su equipamiento puede ser perjudicial; para reducir estas posibilidades adoptar las precauciones necesarias que se indican a continuación:

- 1) Leer este manual en su totalidad, antes de encender y poner en marcha el motocultor.
- 2) Prestar una atención especial a las prohibiciones y a las etiquetas de seguridad alrededor de la máquina.
- 3) La rotación de la fresa es muy peligrosa, **no poner nunca las manos o los pies debajo de la fresa.**
- 4) Antes de permitir que otras personas trabajen con el motocultor, es preciso ponerlas al corriente de las normas de seguridad y de cómo se usa la máquina.
- 5) Antes de encender el motocultor comprobar que no hayan personas alrededor; especialmente niños.
- 6) No usar el motocultor cuando se esté cansado y no beber alcohol.
- 7) Controlar el terreno antes de realizar el fresado, viendo que no hayan piedras, palos o cuerpos extraños que pudieran dañar la máquina o ser lanzados lejos, resultando ser por lo tanto muy peligrosos.
- 8) **Antes de comenzar el trabajo, ponerse prendas apropiadas de trabajo, guantes, botas y gafas.**
- 9) No usar el motocultor en pendientes empinadas, podría volcarse.
- 10) No dejar trabajar a muchachos demasiado jóvenes; está prohibido el uso de la máquina a los menores de 16 años.
- 11) No hacer marcha atrás con el motor acelerado.
- 12) Es peligroso accionar las palancas bruscamente, con el motor al régimen máximo.
- 13) Para evitar el peligro de exhalaciones tóxicas, no utilizar el motor encendido en un local cerrado.
- 14) Apagar siempre el motor antes de reabastecer combustible, mantenerse alejado de chispas o llamas y ¡no fumar!
- 15) Evitar derrames de combustible y tras haber llenado el depósito limpiar cualquier derrame antes de arrancar el motor.
- 16) **No manipular sin autorización o desactivar los dispositivos de seguridad.**
- 17) **No hacer ningún tipo de regulación o limpieza con el motor en marcha.**
- 18) **No hacer controlar la máquina por nadie mientras esté conduciendo con el motor en marcha.**
- 19) El usuario siempre es responsable de los daños originados a terceros.
- 20) Cualquier uso impropio supone la anulación de la garantía y la exoneración de cualquier responsabilidad del fabricante.
- 21) Las azadas deformadas o dañadas deberán sustituirse siempre, no repararlas.
- 22) Usar siempre recambios originales Grillo.
- 23) Antes de comenzar cualquier trabajo con la máquina, comprobar que todos sus sistemas de seguridad funcionen perfectamente. Está rigurosamente prohibido desactivarlos o manipularlos sin autorización.
- 24) Antes de comenzar a trabajar, controlar que los tornillos y las tuercas de bloqueo de la fresa y de las azadas estén bien apretados.
- 25) El equipamiento de protección (capós, guardabarras, etc.), debe permanecer siempre colocado durante el trabajo de escardado.
- 26) No limpiar la fresa con el motor encendido.
- 27) No usar la máquina con los pies descalzos.



## IDENTIFICACIÓN Y ASISTENCIA



### DENTIFICACIÓN

La máquina está dotada de una placa situada sobre el chasis con el número de matrícula.

Este número es indispensable para cualquier intervención técnica y para solicitar los recambios.

### SERVICIO DE ASISTENCIA

Este manual suministra las informaciones para usar el motocultor. Para efectuar un correcto mantenimiento consulte al Revendedor de Zona.

### REPUESTOS

Se aconseja emplear exclusivamente repuestos originales, los únicos que ofrecen características de seguridad y posibilidad de intercambio.

Cualquier pedido debe llevar el número de matrícula de la máquina y el número de código de la pieza que se tenga que sustituir.

Para los repuestos del motor, atenerse a las indicaciones del manual específico.

### GARANTIA

La garantía se suministra en las formas y límites indicados en la tarjeta específica.

Por lo que concierne el motor, son válidas las condiciones previstas por los Fabricantes correspondientes.

### REPUESTOS QUE SE ACONSEJA TENER DE RESERVA

- n° 1 hilo acelerador
- n° 1 hilo embrague de las ruedas
- n° 1 manecilla aceleradora
- n° 1 azada derecha
- n° 1 azada izquierda

### COMO SOLICITAR LOS REPUESTOS

Diríjase a nuestros centros que se encuentran en cada provincia e indique siempre el número de matrícula de la máquina.

Para mayor información, nuestra dirección es:

GRILLO S.p.A.

Via Cervese 1701 - 47023 CESENA (FC)

Tel. 0039.0547.633.111 / Fax 0039.0547.632.011

Sitio Web: [www.grillospa.it](http://www.grillospa.it) / e-mail: [grillo@grillospa.it](mailto:grillo@grillospa.it)

## CARACTERISTICAS TECNICAS

**Motor:** 4 tiempos con gasolina HONDA GC 160, ROBIN EX17.

**Cambio:** Con engranajes en baño de aceite a 2 marchas (una hacia delante y una marcha atrás).

**Toma de fuerza:** A 644 revoluciones en versión motocultor y con sentido de rotación contrario a las manecillas del reloj.

**Dispositivo de seguridad:** Poniendo la marcha atrás, la fresa se desconecta automáticamente.

**Manceras:** De altura regulable.

**Fresa:** Estándar 500 mm.

**Peso:** Con fresa, 74 kg.

**Velocidad con ruedas 4.00-8:** – hacia delante 1,6 km/h – marcha atrás 2,5 km/h.

## INSTRUCCIONES DE USO

### INSTALACIÓN DE LA MÁQUINA

- 1) Controlar la integridad de la máquina, que no haya sufrido daños durante el transporte.
- 2) Levantar el carenado de las ruedas (fig. 1).
- 3) Quitar los dos tornillos (ref. A, fig. 1)
- 4) Girar la manecra a 180°, volver a colocar los dos tornillos de fijación y ajustar las tuercas (fig. 1, ref. A); prestar atención en no doblar los cables de mando.
- 5) Ubicar la palanca de regulación del manubrio prestando atención en los topes (fig. 1/B).
- 6) Cargar el aceite motor (véase el manual correspondiente).
- 7) Cargar 750 gr. de aceite cambio BLASIA 220 (ISO-L-CKD, DIN 51502 PGLP) (fig. 1/C).
- 8) Montar la fresa en el acoplamiento rápido y trabarla con el perno correspondiente (fig. 1/D).
- 9) Colocar el aceite en el filtro de aire en baño de aceite (en caso de versiones con este tipo de filtro) utilizando el mismo tipo de aceite que el del motor (fig. 5).

### ANTES DE ENCENDER EL MOTOR, CONTROLAR SIEMPRE:

- que todas las tuercas y tornillos estén bien apretados;
- que la palanca inverter situada sobre el cárter cambio esté en la posición correcta (ref. A, fig. 4);
- que la palanca de embrague de los accesorios (fig. 2 n. 3) este en posición de punto muerto (en la figura el accesorio está en punto muerto);
- que la palanca de avance (fig. 2 n. 1) esté en posición de punto muerto (fig. 3);
- que el filtro de aire esté bien limpio (fig. 5 - fig. 6);
- llenar el depósito de combustible, sirviéndose de un embudo provisto de un filtro muy fino;
- que los accesorios se encuentren bien fijados a la máquina (fig. 1/D);
- colocar la manecra a la altura justa (fig. 2 n. 4).

### ENCENDIDO DEL MOTOR

Abrir el grifo del combustible si equipado (fig. 7, n. 2), apretar hasta la mitad la manecilla del acelerador (fig. 2 n. 5) y enganchar el Motor Stop (fig. 3). Si el motor está frío, accionar el dispositivo de estárter sobre el carburador (n. 1, fig. 7 e 7/A) en posición “choke” (véase el manual del motor); aferrar la manilla de arranque (fig. 8) y dar un tirón enérgico. Una vez encendido el motor, cuando comienzan las primeras explosiones, llevar el estárter a la posición RUN y después, lentamente, la manecilla del acelerador al mínimo.

### ENCENDIDO DE LA MAQUINA

Tener el motor a bajas revoluciones, embragar la herramienta soltando la palanca n. 3 (fig. 2), acelerar lo necesario y soltar la palanca de embrague de las ruedas (fig. 2 n. 1): la máquina se pondrá en movimiento. Tirando de la palanca n. 1 (fig. 2) la máquina se para. Tirando de la palanca n. 2 (fig. 2) la máquina retrocede (mantener el motor a bajas revoluciones). Para bloquear la palanca, enganchar el retén (fig. 3).

### FIN DEL TRABAJO

Una vez terminado el trabajo, para parar el motor llevar la manecilla del acelerador a la posición STOP (versión con motor HONDA) o bien utilizar el pulsador ON/OFF situado sobre el motor (versión con motor ROBIN). Luego cerrar el grifo del combustible (véase el manual del motor).

### POSIBLES INCONVENIENTES Y REMEDIOS CORRESPONDIENTES

A continuación, presentamos una lista de pequeños inconvenientes que podrán ser resueltos directamente por el cliente.

1 - El motor no arranca:

Seguir en orden los siguientes controles:

- que el depósito de la gasolina esté llenos por lo menos hasta la mitad;
- que el grifo de la gasolina esté abierto;
- que el estárter esté accionado (si el motor está frío) (choke n. 1, fig. 7 y fig. 7/A);
- que el combustible llegue al carburador;
- que el orificio situado sobre el tapón del depósito no se encuentre obturado;
- que el filtro de aire esté bien limpio (fig. 5 - fig. 6);
- que llegue corriente a la bujía (fig. 9) (véase el manual del motor). Si la corriente no llega, después de estar bien seguros de que no existan defectos en los cables eléctricos y de haber limpiado la bujía, sustituirla por una del mismo grado térmico. Si también este intento resultara negativo, la avería puede localizarse dentro del volante magnético; es aconsejable a este punto dirigirse al centro de asistencia más cercano.

## MANTENIMIENTO Y LUBRICACION

### LUBRICACION

Seguir las siguientes operaciones teniendo la máquina en posición horizontal.

**Nota:** La sustitución del aceite se realiza con la máquina caliente para favorecer la salida total del mismo.

### ACEITE DEL MOTOR

Atenerse escrupulosamente a las normas contenidas en el manual del motor. De todos modos, es indispensable controlar el nivel cada 4 horas, quitando el tapón (fig. 10 n. 1) y controlando que el **aceite llegue al nivel máximo**. Efectuar el primer cambio después de 10 horas y posteriormente cambiar el aceite cada 50 horas (véase el manual del motor) desenroscando el tapón (fig. 10 n. 2).

Atención: Es fundamental mantener el aceite motor siempre al nivel máximo.

### ACEITE CAJA DEL CAMBIO

Controlar el nivel del aceite aproximadamente cada 50 horas de trabajo desenroscando el tornillo (fig. 4 ref. B) y, si es necesario, añadir 750 gr. de aceite para cambio BLASIA 220 (ISO-L-CKD, DIN 51502 PGLP) (fig. 1/C). Cambiar el aceite una vez al año. Para extraer el aceite usado desenroscar el tapón (fig. 11 n. 1).

### MANTENIMIENTO

Después de las primeras horas de trabajo, controlar y registrar si es necesario el hilo de desembrague de las ruedas y el hilo del inverter utilizando el regulador situado sobre la manilla (fig. 3). El acoplamiento rápido se debe tener siempre bien limpio y lubricado. Para quitar el carenado, tirar hacia arriba.

### MANTENIMIENTO DE FIN DE ESTACION

Limpiar la máquina, el filtro de aire y la fresa con cuidado.

Cambiar el aceite del motor y del cambio. Colocar 2 tablillas de madera debajo de las ruedas.

## ACCESORIOS

### FRESA ROTATIVA EN SENTIDO CONTRARIO

Sirve para romper la capa superficial del terreno a fin de aumentar su permeabilidad y al mismo tiempo para liberarlo de las malas hierbas (fig. 12). Esta fresa es particularmente indicada para terrenos duros, difíciles, en los que un motocultor tradicional fresaría con dificultad. La rotación de las azadas, contraria a la de las ruedas motrices, mantiene la máquina bien adherente al terreno permitiendo un fresado mucho más agresivo. La presión que se ejerce sobre el manubrio de conducción es muy importante para realizar un buen trabajo y hacer avanzar la máquina de manera uniforme.

La profundidad del fresado puede variarse alzando o bajando el patín central (ref. A fig. 12).

Para aumentar la profundidad, es necesario mover el patín hacia arriba.

## IMPORTANTE:

### ¡ATENCIÓN!

La fresa presenta dos tornillos de seguridad para proteger la transmisión de la máquina en caso de que una piedra u otro cuerpo extraño bloquee bruscamente la rotación de la misma.

Si sucediese lo anteriormente dicho y la fresa, a pesar de estar embragada, no girase más, será necesario sustituir los tornillos de seguridad. Para ello aconsejamos tener siempre dos tornillos de repuesto; para eventuales pedidos, su número de referencia es 146374 (fig. 14).

**Nota:** Controlar que el montaje de las cuchillas sea correcto (véase fig. 13). Verificar el nivel de aceite cada 20 horas en el depósito situado sobre la cubierta del cárter (ref. A fig. 13) y, si fuese necesario, añadir aceite 85 W / 90 (equivalentes internacionales API GL5 o bien US MIL-L-2105D).

### NIVEL DE RUIDO

Régimen del motor (r.p.m.)	Nivel de presión acústica equivalente dB(A)
3060	79,5

### NIVEL DE VIBRACION

Régimen del motor (r.p.m.)	Vibraciones $a_{kw}$ m/s <sup>2</sup>
3060	2,2

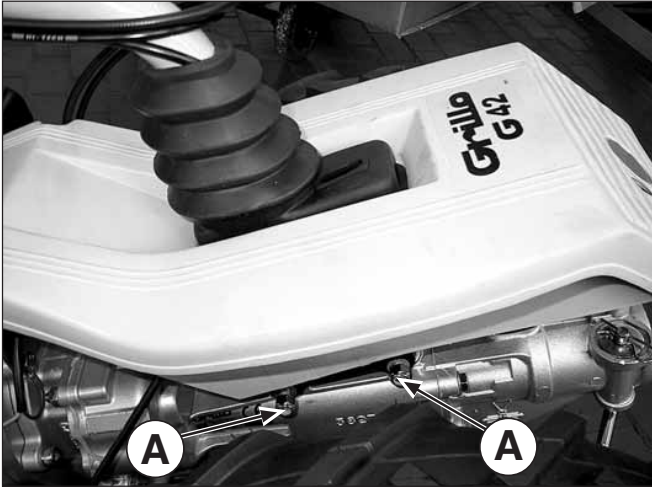


Fig. 1

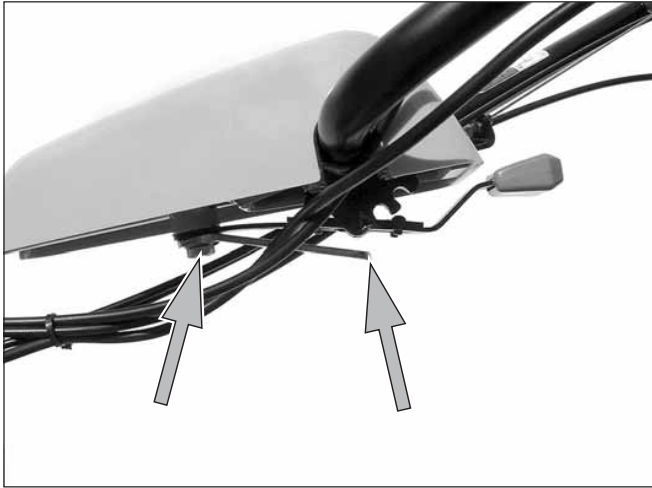


Fig. 1/B



Fig. 1/C

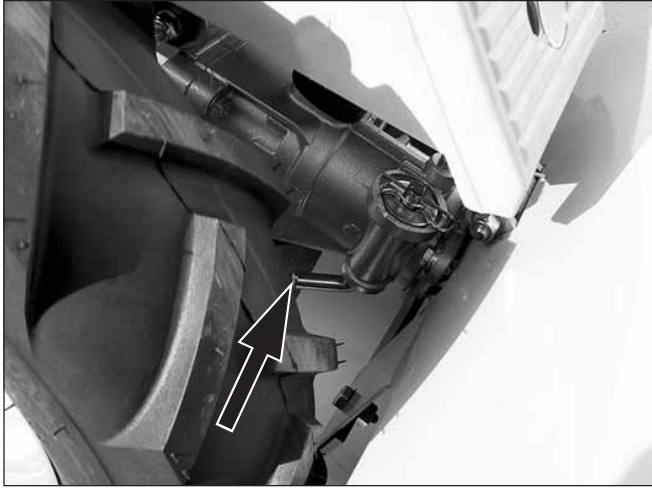


Fig. 1/D



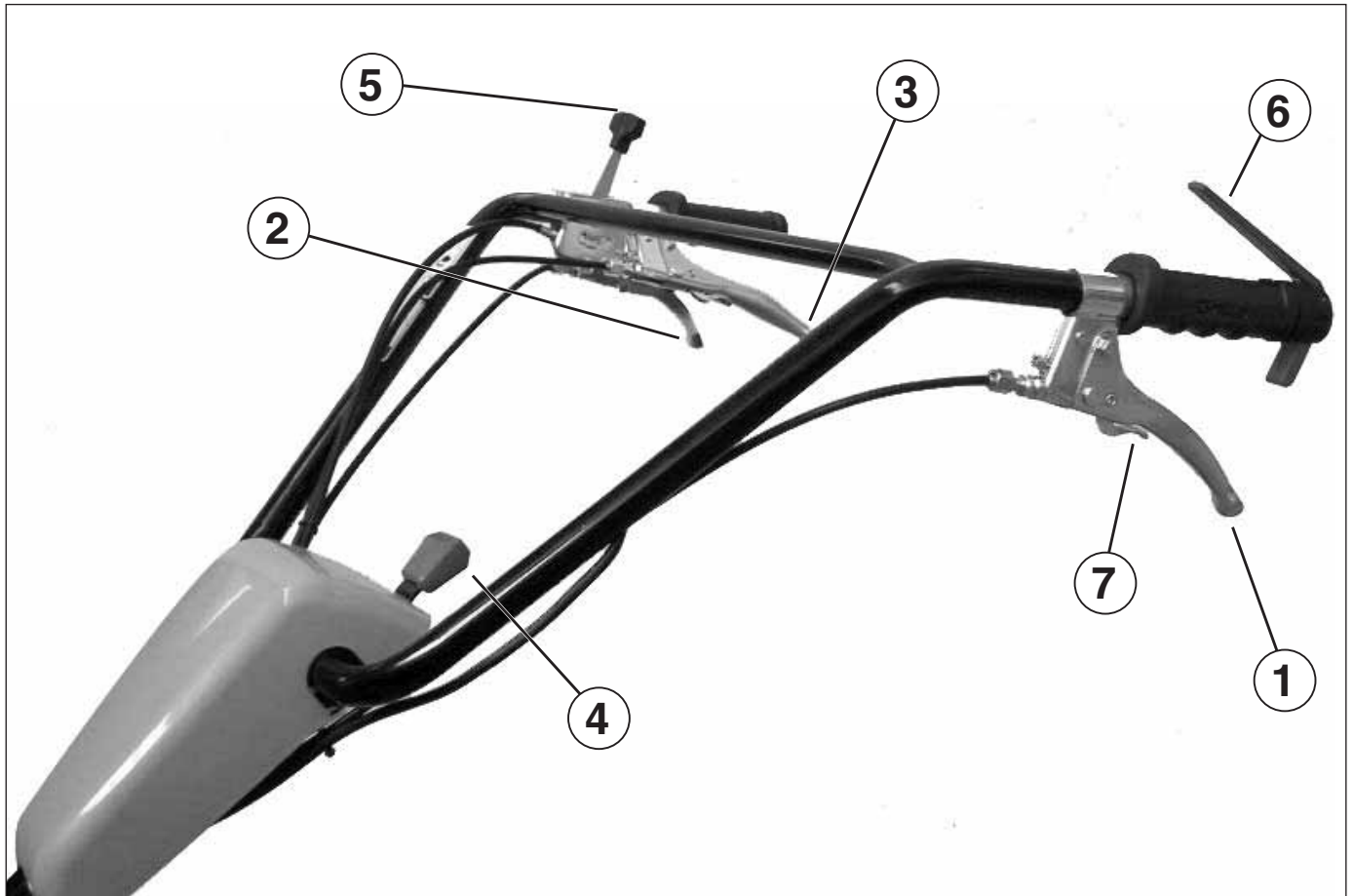


Fig. 2

#### DESCRIPTION OF CONTROLS

- 1) Travel / stop lever
- 2) Reverse lever
- 3) Implement engaging lever
- 4) Handle adjuster lever
- 5) Throttle lever
- 6) Deadman device (safety device)
- 7) Travel / stop lever hook

#### DESCRIZIONE COMANDI

- 1) Leva avanzamento / arresto
- 2) Leva retromarcia
- 3) Leva innesto attrezzi
- 4) Leva posizionamento manubrio
- 5) Leva acceleratore
- 6) Motor Stop (dispositivo di sicurezza)
- 7) Gancio leva avanzamento

#### DESCRIPTION DES COMMANDES

- 1) Levier d'avancement / d'arrêt
- 2) Levier de marche arrière
- 3) Levier d'embrayage des outils
- 4) Levier de positionnement poignée
- 5) Levier de l'accélérateur
- 6) Levier du motor-stop (dispositif de sécurité)
- 7) Crochet du levier d'avancement

#### BESCHREIBUNG DER BEDIENUNGSEINRICHTUNGEN

- 1) Fahrt-/Stopphebel
- 2) Rückwärtsganghebel
- 3) Gerätekupplungshebel
- 4) Hebel zum Positionieren des Lenkers
- 5) Gashebel
- 6) Sicherheitsvorrichtung (Totmannschaltung)
- 7) Einhackvorrichtung für Fahrthebel

#### DESCRIPCIÓN MANDOS

- 1) Palanca avance/parada
- 2) Palanca marcha atrás
- 3) Palanca embrague accesorios
- 4) Palanca posición manubrio
- 5) Palanca acelerador
- 6) Motor Stop (dispositivo de seguridad)
- 7) Gancho palanca avance/parada

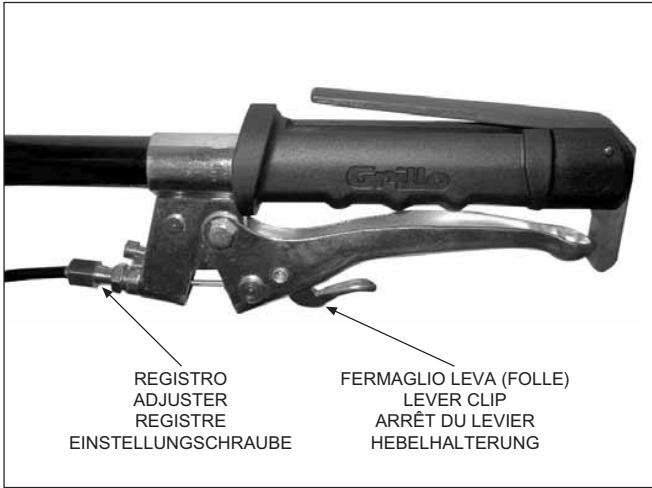


Fig. 3

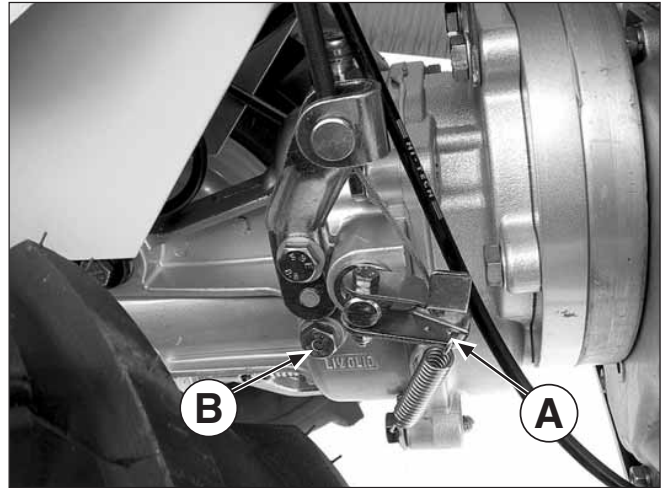


Fig. 4

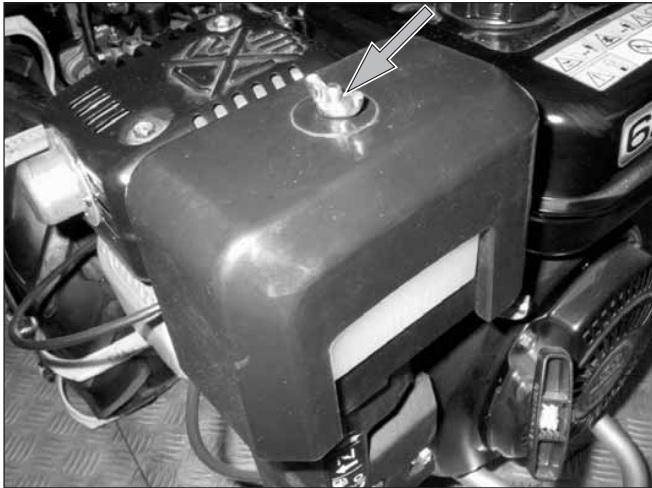


Fig. 5



Fig. 6

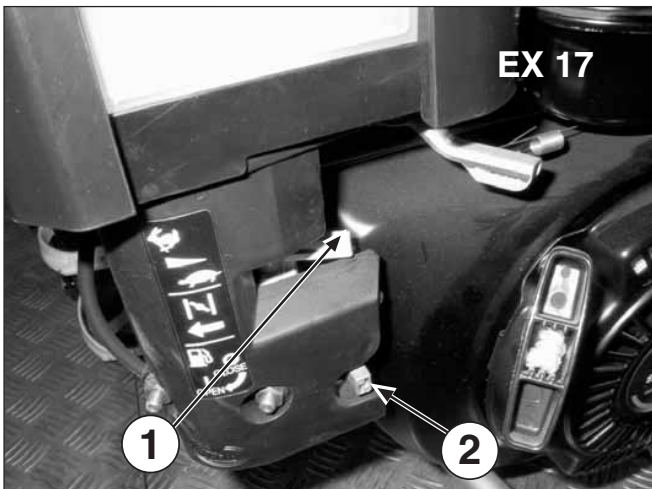


Fig. 7



Fig. 7/A



Fig. 8



Fig. 9

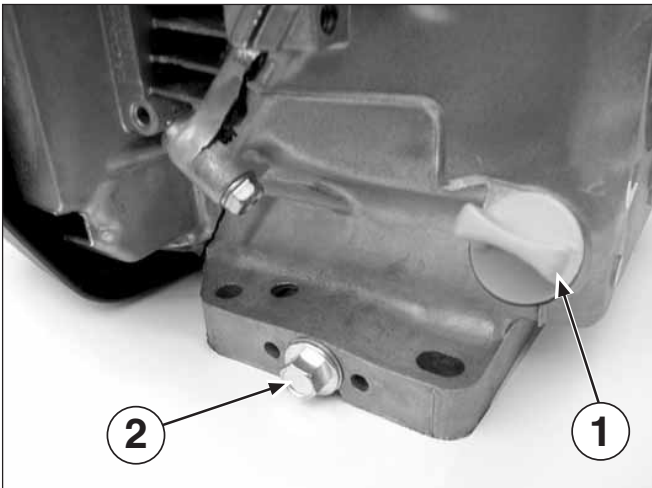


Fig. 10

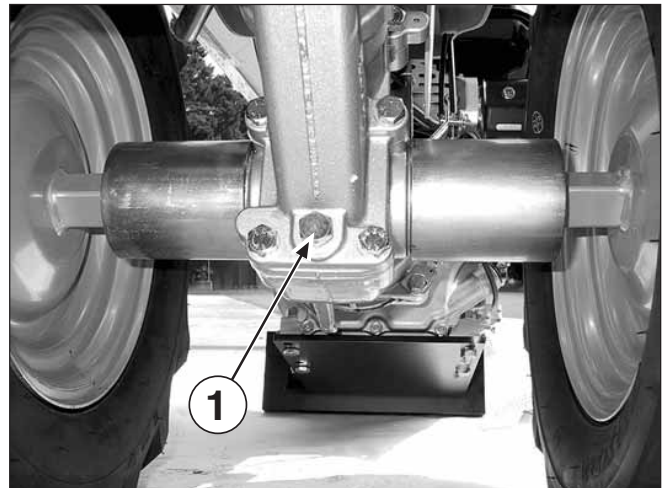


Fig. 11

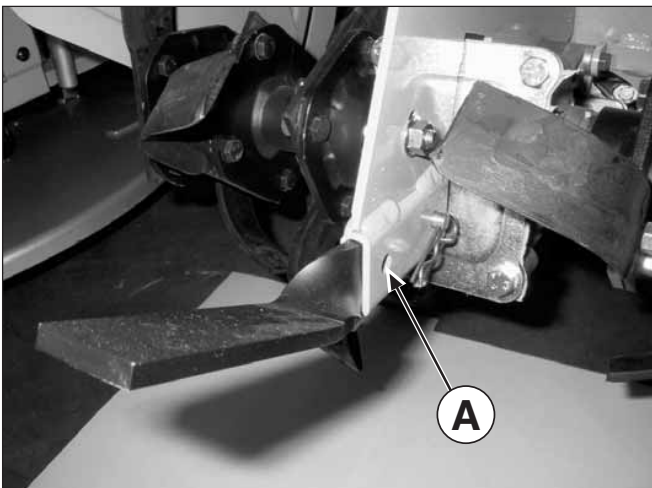


Fig. 12

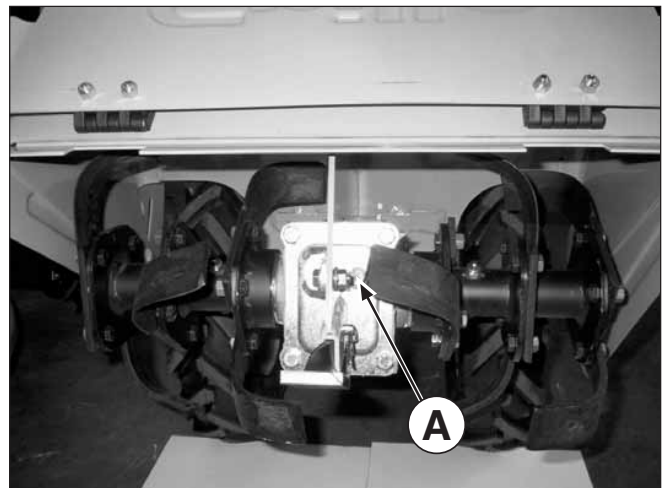


Fig. 13

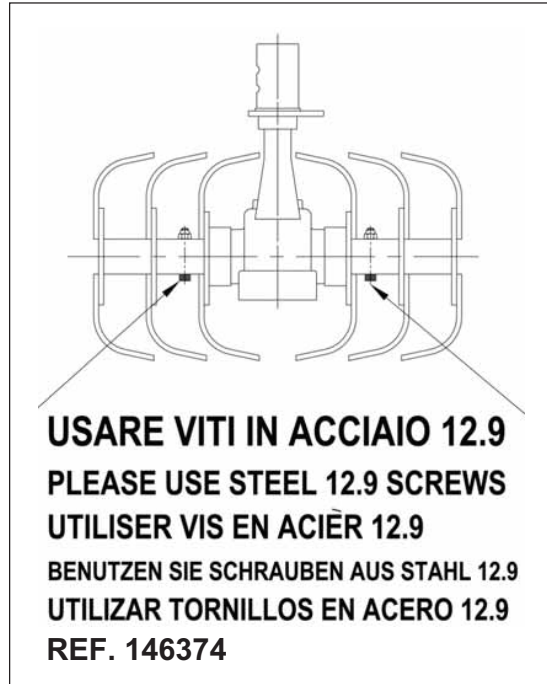


Fig. 14

**OVERALL DIMENSIONS - DIMENSIONI DI INGOMBRO - DIMENSIONS D'ENGOMBREMENT - AUSSENMASSE**

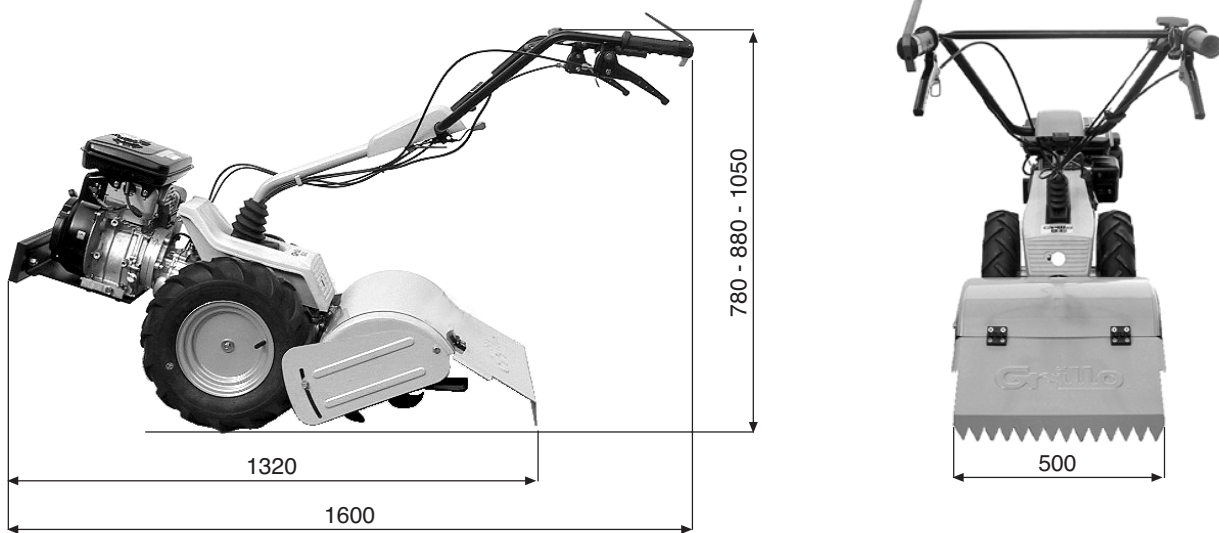


Fig. 15











47023 CESENA (ITALY) - Via Cervese 1701  
Tel. 0547/633111 (centralino) - Fax 0547/384222 - 0547/632011  
Internet: [www.grillospa.it](http://www.grillospa.it) - E-mail: [grillo@grillospa.it](mailto:grillo@grillospa.it)